

OPLED FACTORY OVERVIEW

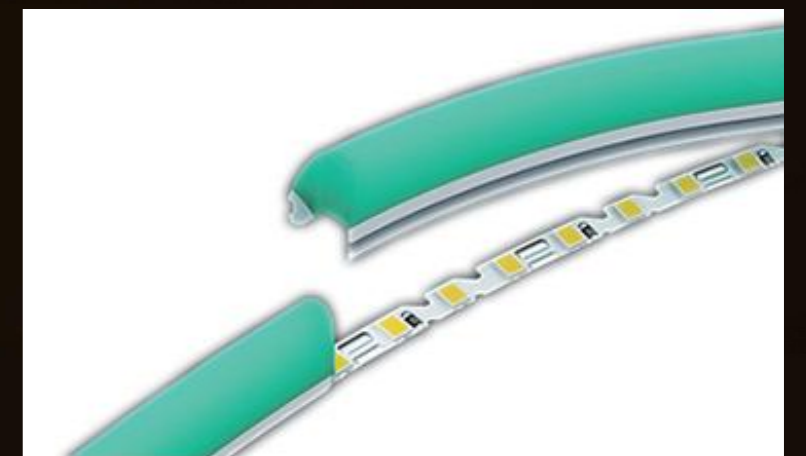


LED NEON STRIP FOR NEON SIGNS

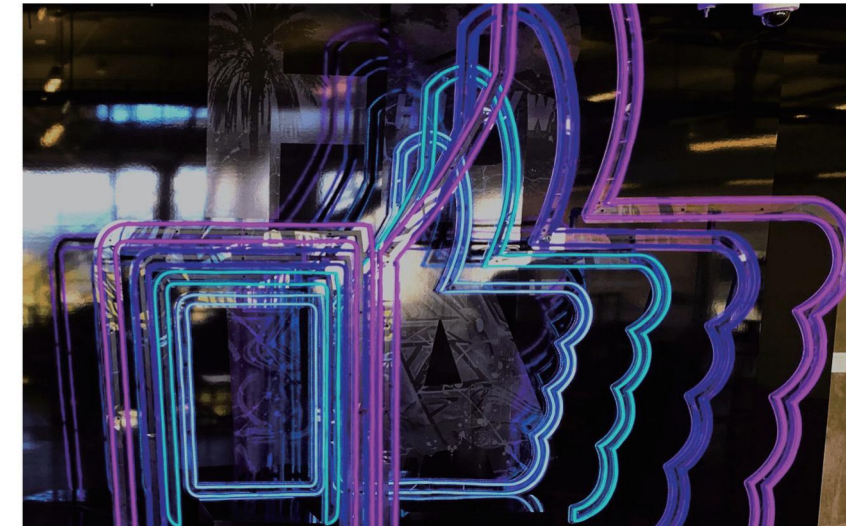
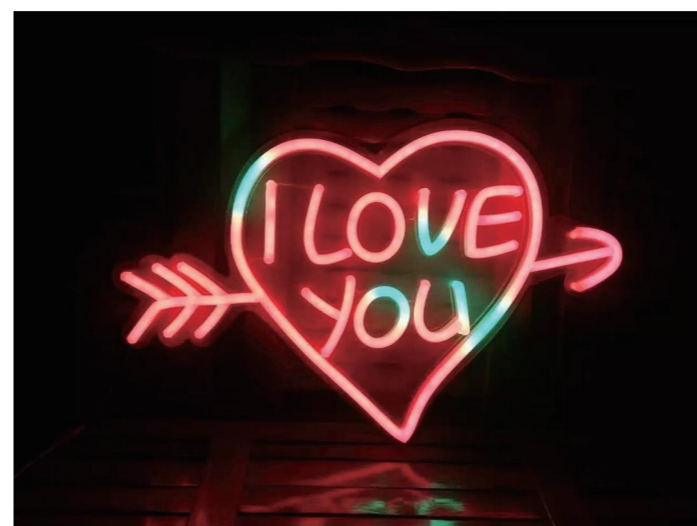
LED Neon strip is special designed for NEON signs. OPLED supply two kinds of LED Neon strip, They are Integrated injection LED Neon strip and split LED neon strip. It is produced by silicone gel. It is very soft and bendble. it is not easy to be oxidized, and not easy to be cracked under sun lighting. Emitting light is very uniform and without dark area.



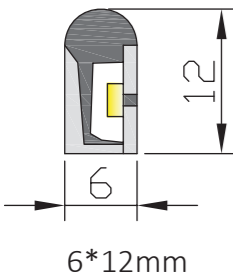
Integrated LED Neon strip



Split LED Neon strip

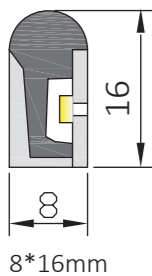
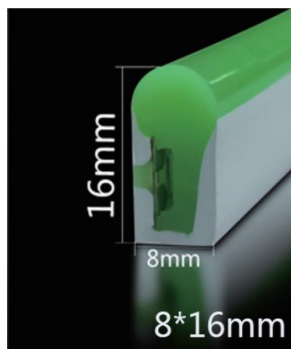


Integrated LED Neon strip 6*12

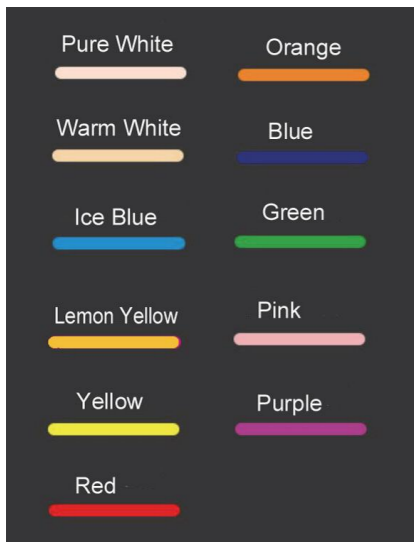


Part No.	OP-NLS6-12			
Size	6*12MM			
Emitting Color	red,yellow,blue,green,white,warm white, pink,ice blue,orange,purple,lemon yellow		RGB	RGB Magic
Working Voltage	DC12V	DC24V	DC12V	DC12V
Power	7.2W/M	9.6W/M	16W/M	19W/M
LED Type:	LED 2835	LED 2835	LED 4040	LED 4040
Min. Cutting length:	25mm	10mm	50mm	27.77MM
LED QTY:	120LEDs/m	100LEDs/m	120LEDs/m	108LEDs/m
IP rate:	IP67		IP67	IP67
Life time:	50000hrs		50000hrs	50000hrs
Working Temperature:	-40°C-60°C		-40°C-60°C	-40°C-60°C

Integrated LED Neon strip 8*16



Part No.	OP-NLS8-16		
Size	8-16MM		
Emitting Color	red,yellow,blue,green,white,warm white, pink,ice blue,orange,purple,lemon yellow		RGB
Working Voltage	DC12V	DC24V	DC12V
Power	7.2W/M	9.6W/M	16W/M
LED Type:	LED 2835	LED 2835	LED 4040
Min. Cutting length:	25mm	10mm	50mm
LED QTY:	120LEDs/m	100LEDs/m	120LEDs/m
IP rate:	IP67		IP67
Life time:	50000hrs		50000hrs
Working Temperature:	-40°C-60°C		-40°C-60°C



Single Color available

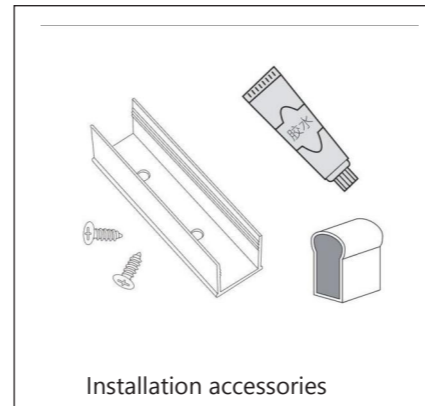


RGB color

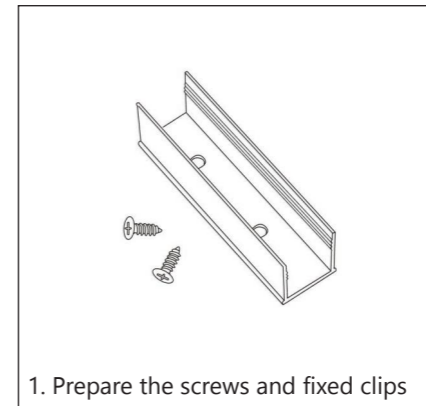


RGB magic color

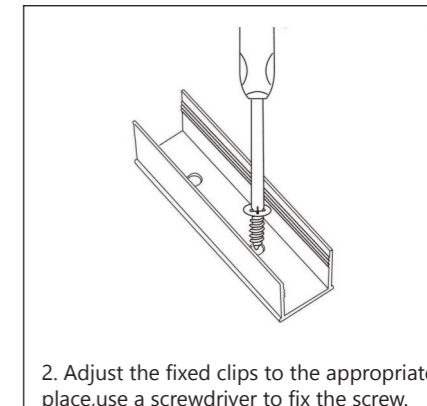
Installation steps



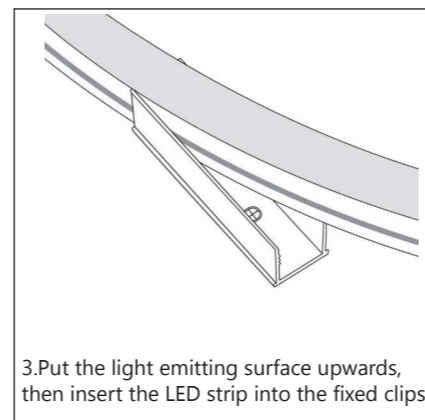
Installation accessories



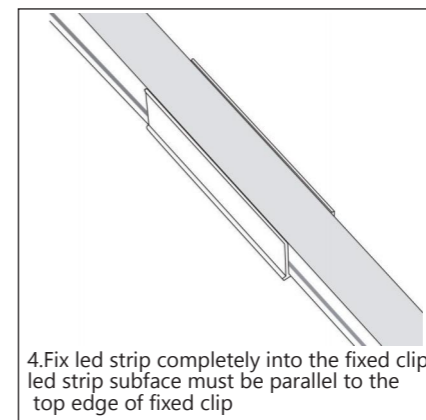
1. Prepare the screws and fixed clips



2. Adjust the fixed clips to the appropriate place,use a screwdriver to fix the screw.



3.Put the light emitting surface upwards, then insert the LED strip into the fixed clips

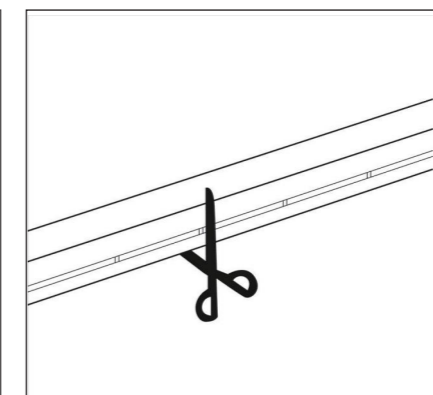


4.Fix led strip completely into the fixed clip, led strip surface must be parallel to the top edge of fixed clip

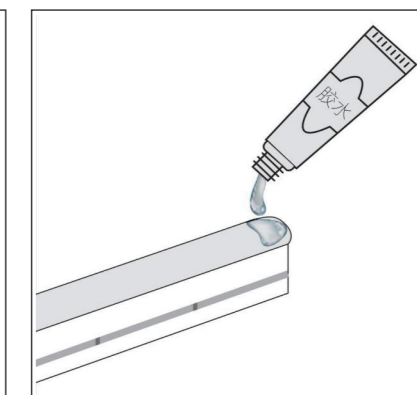
How to cut and seal the end



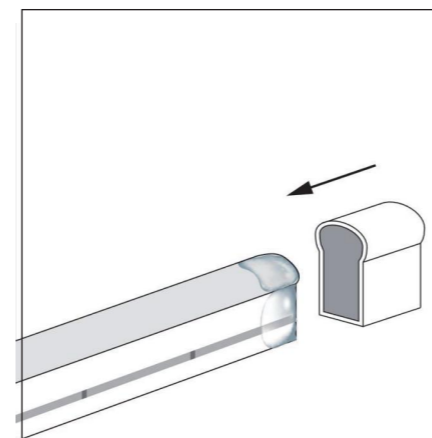
It is feasible to cut along the black point on the side of led strip.Do not cut optionally to avoid damage to led strip



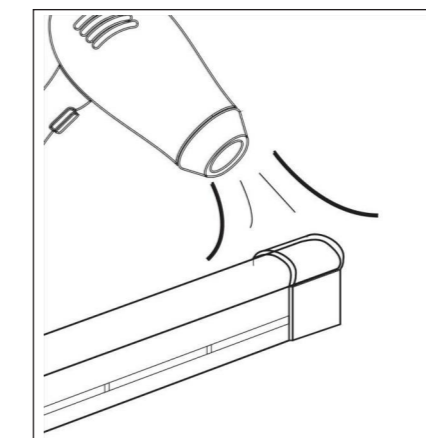
1. Cut the appropriate place



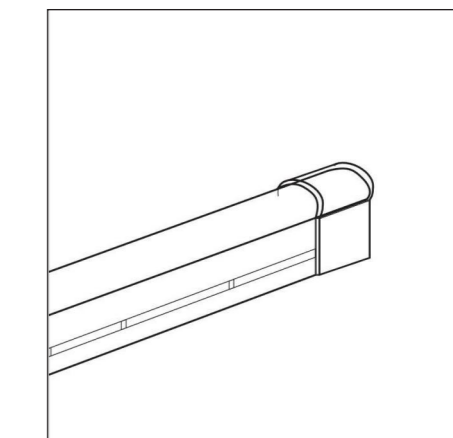
2.coat the section with glue uniformly after cutting.



3.Insert the section into the plug according to direction of arrow.

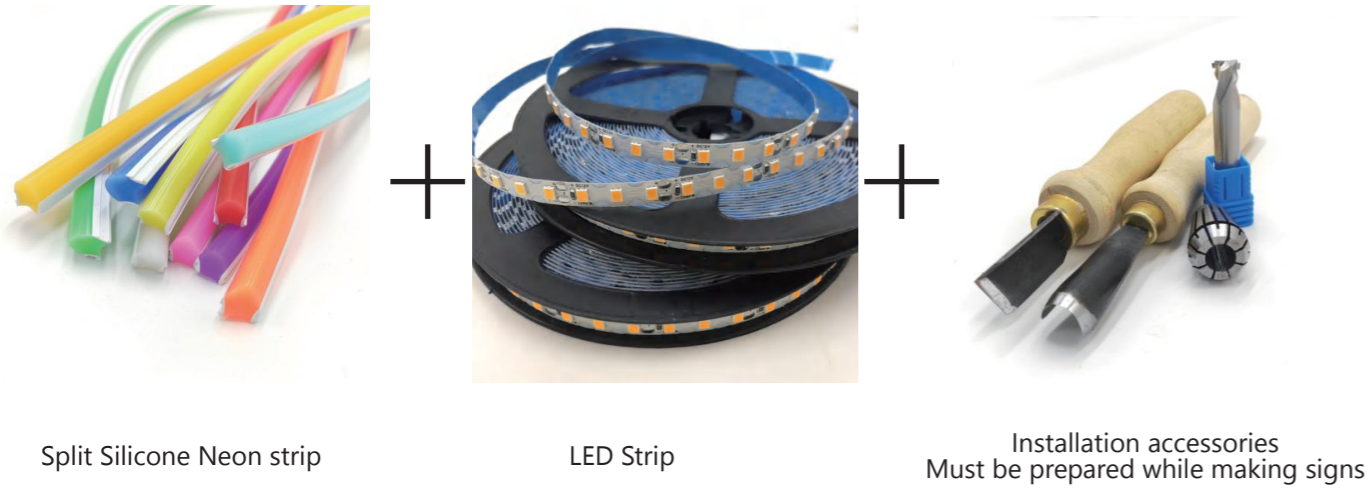


4. Dry the plug with hot wind or Natural wind until make sure the intallation is firmed.



5. The effect of finished plug installation

A set products to use split Neon



Split Silicone Neon strip

LED Strip

Installation accessories
Must be prepared while making signs

Split Silicone Neon Strip specific

Part No.	OP-SPN6MM	OP-SPN8MM	OP-SPN12MM
Size drawing			
Color	red,yellow,blue,green,white,warm white,pink,ice blue,orange,purple,lemon yellow		
Length:	50m /roll	50m /roll	50m /roll
Cuttable	Anywhere,but it should be cutted according to LED strip segment.		

LED flexiible Strip specific

Part No.	OP-SPS7W	OP-SPS6W	OP-SPS15W	OP-SPS10W
Width	6mm	6mm	7mm	7mm
length	10m/roll	10m/roll	5m/roll	5m/roll
Color available	red,yellow,blue,green,white,warm white, pink,ice blue,orange,purple,lemon yellow		RGB	RGB magic
Power	7W/M	6W/M	15W/M	10W/M
Voltage	DC12V	DC12V	DC12V	DC12V
LED QTY/m	108LEDs/m	108LEDs/m	90LEDs/m	90LEDs/m
Cuttable segment	27.78MM	9.26MM	33.33MM	33.33MM
Can match Split	All can be used together with split neon strip OP-SPN6MM,OP-SPN8MM,OP-SPN12MM			

Accessories



Chuck for Graver machine

Milling Cutter
(6mm,8mm,12MM Neon)

Cutting Knife

Transparent Wire

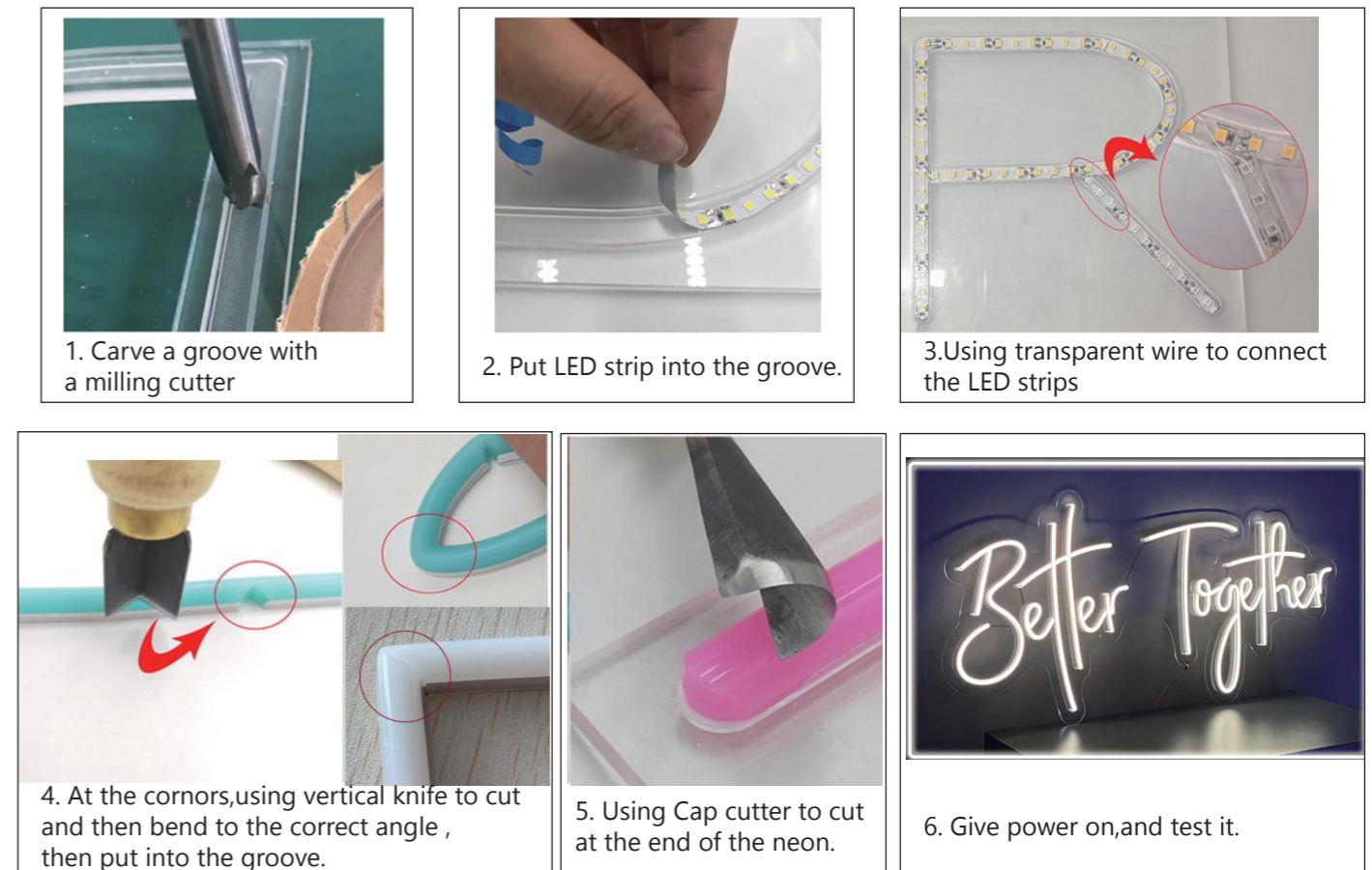
Transparent wire with female connector

Dimmer

RGB controller

Magic RGB controller

How to install split Neon strip



1. Carve a groove with a milling cutter

2. Put LED strip into the groove.

3.Using transparent wire to connect the LED strips

4. At the corners,using vertical knife to cut and then bend to the correct angle , then put into the groove.

5. Using Cap cutter to cut at the end of the neon.

6. Give power on,and test it.