

TESIS 1700-2300 ROLL-SLITTER WITH ROTATING BLADE

Electrical sturdy and practical roll-slitter with touch screen display.
It allows slitting of rolls of different materials, in an extremely precise and easy way.

✓ **REELS OF VARIOUS MEASURES ALWAYS AVAILABLE**
Designed to slit rolls of different heights **rapidly and accurately** according to the requirements

✓ **REDUCE THE VOLUME OF ROLLS STOCKED**
Keep only full width log rolls and **reduce the waiting time** of the material to be slit to the desired width

✓ **NO MATERIAL WASTE**
Convert **rolls in shorter lengths** in **real time** according to the different needs

✓ **DESIGNED FOR YOUR NEEDS**
Solutions designed to facilitate the daily work: easy loading of rolls, digital display for cutting measurement, integrated lubrication system of the cutting blade

✓ **EASY TO USE**
Touch screen display with intuitive set up of the cut parameters

✓ **LOW MAINTENANCE COSTS**
Tesis has low maintenance costs

✓ **SMART REMOTE SYSTEM** **NEW**
Tesis can be connected to the internet network for remote assistance, for fast and efficient diagnostics

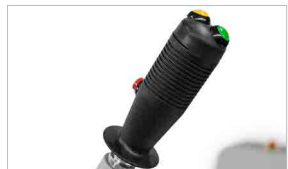
✓ **MADE IN ITALY**
Designed and manufactured in Italy with Flexa guarantee of pre-sales, after-sales and maintenance services

SUITABLE FOR:

- > Vinyl film / Coloured film / Textile / Reflective material
- > Application-tape / Double-side adhesive
- > Protection film for lamination / Printing media material
- > Polyethylene/ Polypropylene / Many more..



NEW



Comfortable multi-function hand grip with start push button and lubrication button



Rotatable and tiltable touch screen display



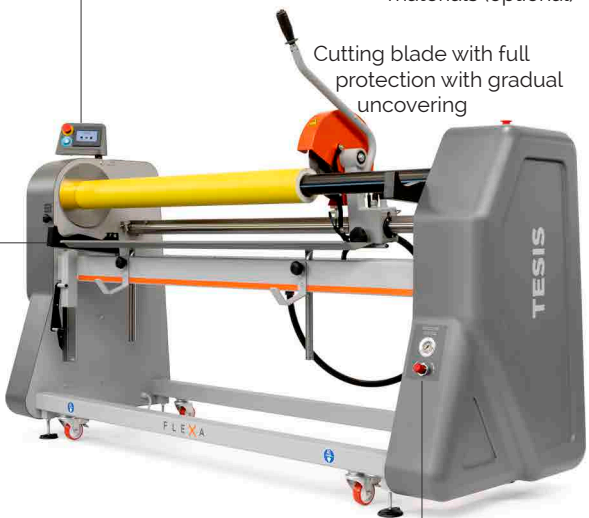
Braking assembly for the cutting blade suggested for cutting fabrics and soft materials (optional)



Dual chamfer blade (standard). Single chamfer blade (optional) for fabrics and narrow reels



Easy loading device for heavy roll changeover



Cutting blade with full protection with gradual uncovering



Bar with millimetre scale to visualize the cutting size of the rolls



Pneumatic locking system of spindle

Pressure adjustment of the spindle



Digital display for cutting measurement (optional) with pneumatic locking system (optional)



Easy sliding of the cutting unit on chrome bar Ø 50 mm with manual locking system (pneumatic optional)

	TESIS 1700	TESIS 2300
Working width	1700 mm (67 in)	2300 mm (91 in)
Maximum external roll diameter	Ø 210 mm (8,2 in) - Ø 270 mm (11 in) (changing the cutting unit - optional)	Ø 210 mm (8,2 in) - Ø 270 mm (11 in) (changing the cutting unit - optional)
Internal core of the roll	Ø 76 mm (3") standard Ø 50 mm (2") optional	Ø 76 mm (3") standard Ø 50 mm (2") optional
Electric rotation of the spindle	200 rpm/min.	200 giri/min.
Supply	230V - 50 Hz - 1500 W	230V - 50 Hz - 1500 W
Dimensions (W x D x H)	2550 x 800 x 1800 mm (100 x 31 x 71 in)	3150 x 800 x 1800 (124 x 31 x 71 in)
Weight	350 kg (772 lbs)	450 kg (992 lbs)
Packing dimensions (W x D x H)	2650 x 1150 x 1970 mm (104 x 45 x 77 in)	3450 x 1150 x 2000 mm (136 x 45 x 79 in)
Packing weight	430 kg (948 lbs)	590 kg (1300 lbs)

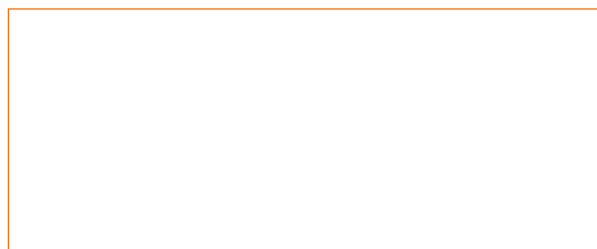


It works with air compressor (not included). Silent oil free model provided by Flexa: 230 V - 50 HZ - 60 db

Manufactured in compliance with CE regulations



Distributor



100% Made by FLEXA
100% Made in Italy

Follow us:

