

CE  FC
LED modules & LED strips



OPLED TECHNOLOGY CO.,LTD
深圳市欧立德光电有限公司

About OPLED

OPLED TECHNOLOGY CO.,LTD is a high-tech service-oriented enterprise dedicated to develop, manufacture and supply of LED sign light products. Our products are widely applied to advertising sign, channel letter, light box & decoration, etc. , our company objective is high stability and consistency ,improve the installation efficiency , lower installation cost and after cost . We will make ourselves your top supplier in LED sign light in the world.

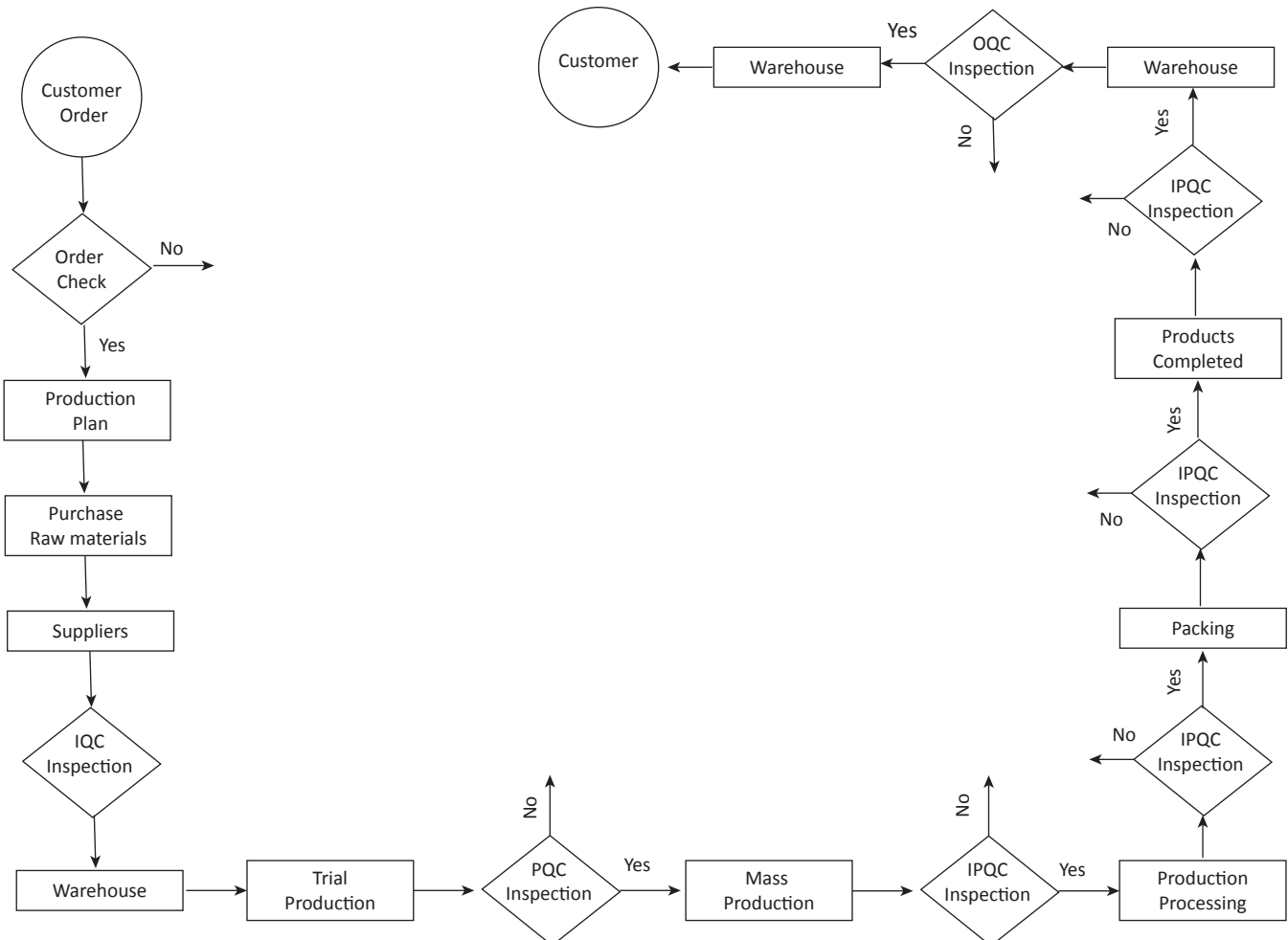
Our products are including: LED modules, LED strips ,etc. We also design and produce the customer assigned products in various applications.

Because of our professional design, skillful process, excellent quality, we have got high response from our customers. Our products have been sold to many different countries.

Our company has obtained the ISO9001:2008 International Quality & Management Certification, EU RoHS Certification and CE Certification etc.

"Reputation First, Customers Foremost" is the aim of our service. With the spirit of continuous improvement to perfect every detail we met, on the strength of our excellent quality and first class after sell service to reach jointly with our customers the top of undertaking.

How to control quality?



Certificates



Why Choose OPLED?

- Using 99.99% gold wire LED lamp.
- SDCM<3 step or SDCM<5 step. Assure same BIN color for different orders.
- Adopt optical Lens for LED modules, ideal for LED light box and 3D letters application.
- Stable Quality.
- Excellent service.

Product List:



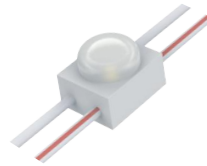
0.36W/30LM/IP65

P01



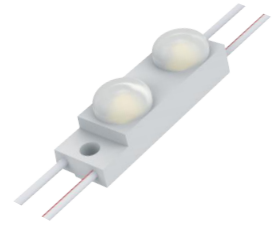
0.30W/28LM/IP65

P01



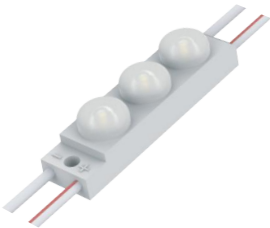
0.36W/54LM/IP67

P02



0.48W/73LM/IP67

P02



0.72W/110LM/IP67

P03



0.96W/145LM/IP67

P03



0.48W/55LM/IP65

P04



0.72W/75LM/IP65

P04



1.5W/145LM/IP65

P05



1.44W/150LM/IP65

P05



0.36W/54LM/IP67

P06



0.72W/105LM/IP67

P06



1.08W/149LM/IP67

P07



1.44W/202LM/IP67

P07



0.50W/50LM/IP65

P08



1.0W/96LM/IP65

P08



1.5W/145LM/IP65

P09



2.0W/185LM/IP65

P09



0.72W/105LM/IP67

P10



1.2W/120LM/IP67

P11

Product List:



2.0W/202LM/IP65

P12



1.32W/130LM/IP65

P13



1.5W/135LM/IP65

P14



2.0W/202LM/IP65

P15



0.72W/IP65/RGB

P16



1.44W/IP65/RGB

P17



s led strip 60leds/m

P19



COB LED strip

P20



3528 60LEDs/m

P21



3528 120LEDs/m

P22



2835 60LEDs/m

P23



2835 120LEDs/m

P24



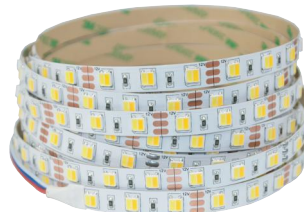
5050 30LEDs/m

P25



5050 60LEDs/m

P26



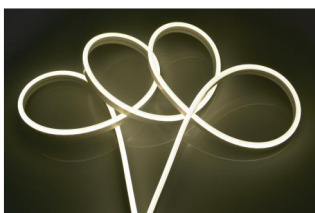
CCT adjustable LED strip

P27



RGBW LED strip

P28



DC LED Neon strip

P29



AC LED Neon Strip

P30



LED Power Supply

P31



Accessories and controllers

P33



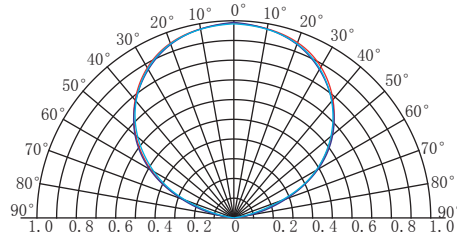
Application:

- 3D illumination LED letters with Depth 30-80MM
- Light box with Depth 30-80MM

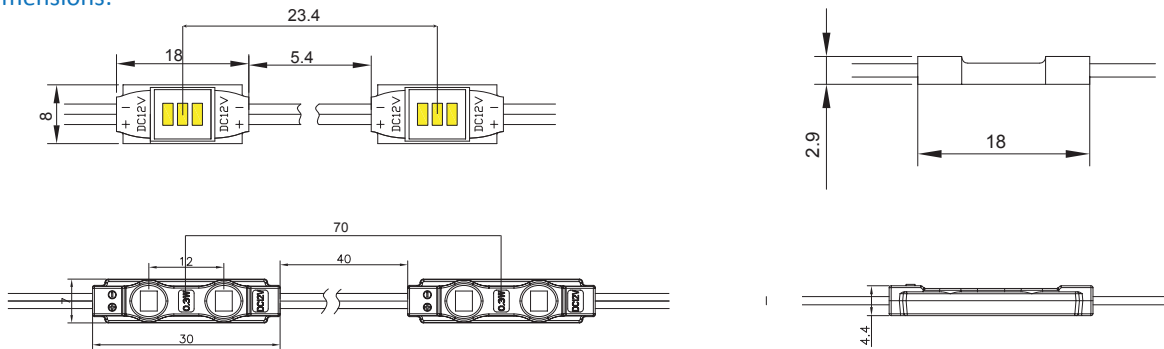
Features:

- Ultra small size
- Light decay <3% for 6000hrs
- CRI>70
- 3-step MacAdam ellipse
- HB fire safety level
- IP65 waterproof
- Cuttable every module
- 3 years warranty

Beam Angle:120°



Dimensions:



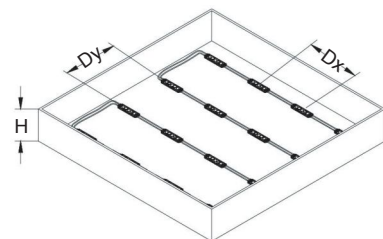
Unit:MM

Order INFO and Parameter:

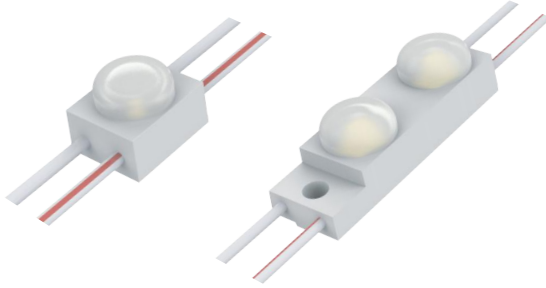
Part No.	Voltage	Power/pc	Lumen/pcs	LED Type	Ra	Dimension	Available Color
OP-3CSM1808-3	DC12V	0.36W	30LM	SMD3014	>70	18*8*2.9mm	○ ● ● ● ● ●
OP-2CSM3006-2	DC12V	0.30W	28LM	SMD2835	>70	30*7*4.4mm	3000K/7000K/12000K

Installation Reference:

Part No.	Depth(H)	Dx	Dy	Qty/M ²	Power/M ²	Illumination
OP-3CSM1808-3	40mm	50mm	50mm	400pcs	144W	9030lux
	50mm	50mm	50mm	400pcs	144W	7850lux
OP-2CSM3006-2	50mm	70mm	70mm	196pcs	59W	4680lux
	60mm	80mm	80mm	169pcs	51W	3470lux



150
LM/W



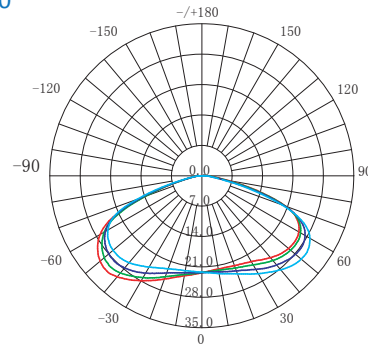
Application:

- 3D illumination LED letters with Depth 50-160MM
- Light box with Depth 50-160MM

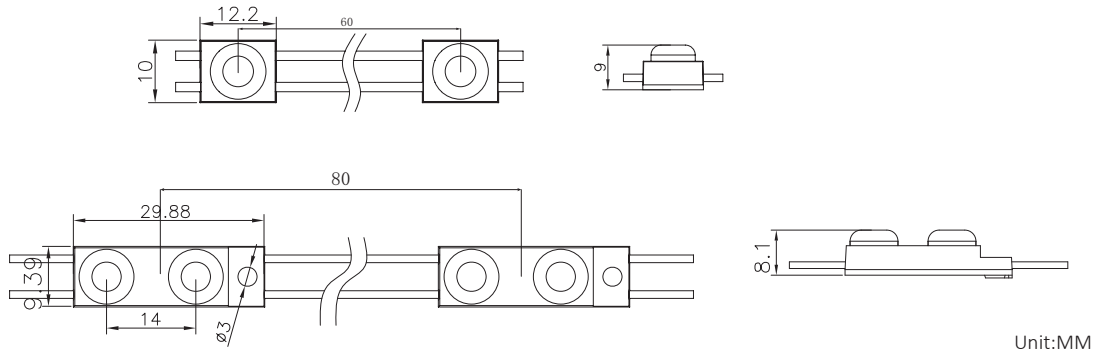
Features:

- Ultra small size
- Light decay <3% for 6000hrs
- CRI>70
- 3-step MacAdam ellipse
- HB fire safety level
- IP67 waterproof
- Cuttable every module
- 5 years warranty

Beam Angle:160°



Dimensions:

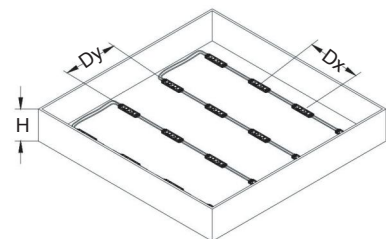


Order INFO and Parameter:

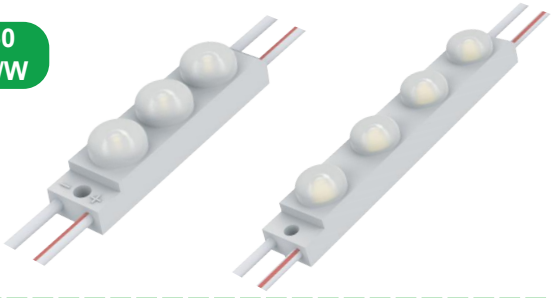
Part No.	Voltage	Power/pc	Lumen/pcs	LED Type	Ra	Dimension	Available Color
OP-2LSM1210-1	DC12V	0.36W	54LM	SMD2835	>70	12.2*10*9mm	3000K/7000K/12000K
OP-2LSM3009-2	DC12V	0.48W	73LM	SMD2835	>70	29.9*9.4*8.1mm	3000K/7000K/12000K

Installation Reference:

Part No.	Depth(H)	Dx	Dy	Qty/M ²	Power/M ²	Illumination
OP--2LSM1210-1	60mm	60mm	60mm	256pcs	92W	578lux
	80mm	100mm	100mm	100pcs	36W	2370lux
OP-2LSM3009-2	80mm	100mm	100mm	100pcs	48W	2920lux
	100mm	120mm	120mm	64pcs	30.8W	1950lux



150 LM/W



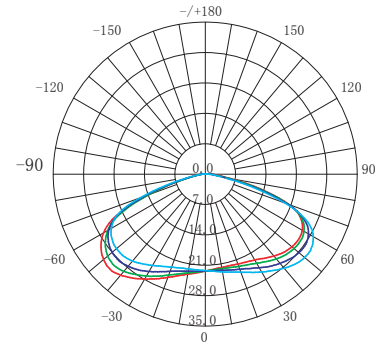
Application:

- 3D illumination LED letters with Depth 50-250MM
- Light box with Depth 50-250MM

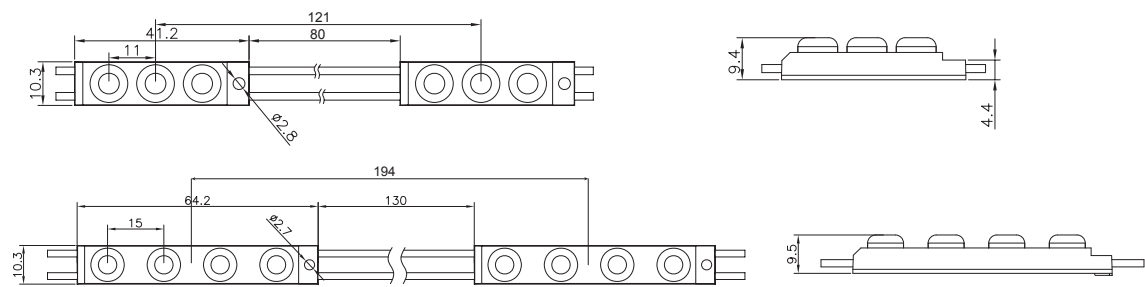
Features:

- Ultra small size
- Light decay <3% for 6000hrs
- CRI>70
- 3-step MacAdam ellipse
- HB fire safety level
- IP67 waterproof
- Cuttable every module
- 5 years warranty

Beam Angle:160°



Dimensions:



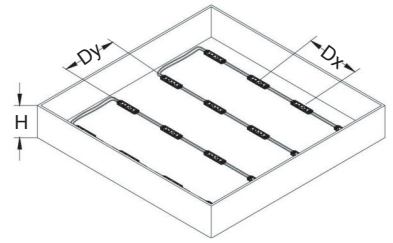
Unit:MM

Order INFO and Parameter:

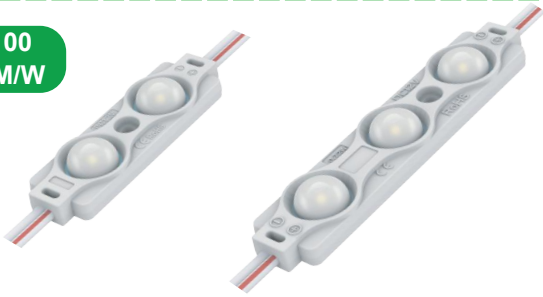
Part No.	Voltage	Power/pc	Lumen/pcs	LED Type	Ra	Dimension	Available Color
OP-2LSM4110-3	DC12V	0.72W	110LM	SMD2835	>70	41.2*10.3*9.4mm	3000K/7000K/12000K
OP-2LSM6410-4	DC12V	0.96W	145LM	SMD2835	>70	64.2*10.39.5mm	3000K/7000K/12000K

Installation Reference:

Part No.	Depth(H)	Dx	Dy	Qty/M ²	Power/M ²	Illumination
OP--2LSM4110-3	80mm	140mm	120mm	60pcs	43.2W	3680lux
	120mm	160mm	160mm	36pcs	26W	2310lux
OP-2LSM6410-4	120mm	160mm	160mm	36pcs	35W	2650lux
	150mm	200mm	200mm	25pcs	24W	1810lux



100 LM/W



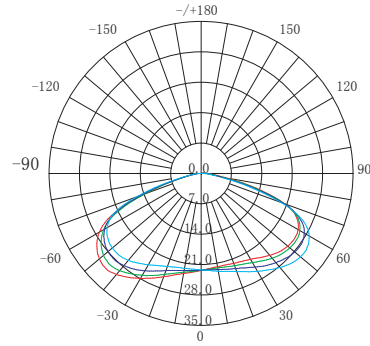
Application:

- 3D illumination LED letters with Depth 60-200MM
- Light box with Depth 60-200MM

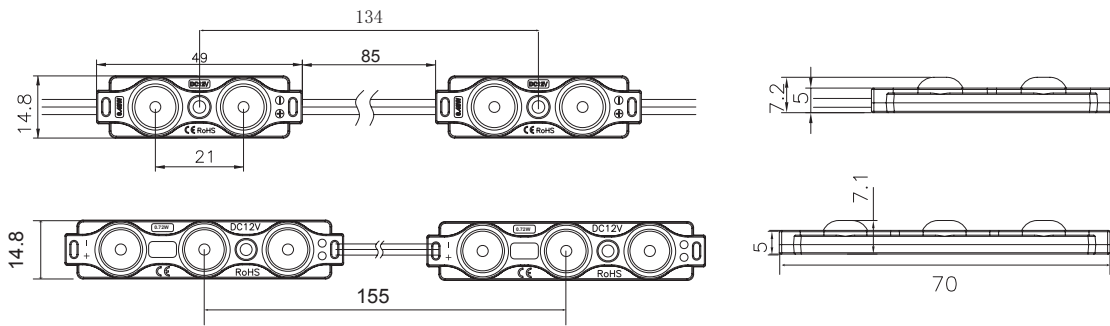
Features:

- Aluminum PCB
- Light decay <3% for 6000hrs
- CRI>70
- 3-step MacAdam ellipse
- HB fire safety level
- IP65 waterproof
- Cutable every module
- 3 years warranty

Beam Angle:160°



Dimensions:



Unit:MM

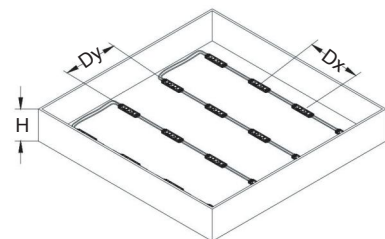
Order INFO and Parameter:

- OP-2LSM4915-2 can produce power: 0.48W / 0.72W / 1.0W
- OP-2LSM7015-3 can produce power: 0.72W / 1.2W / 1.5W

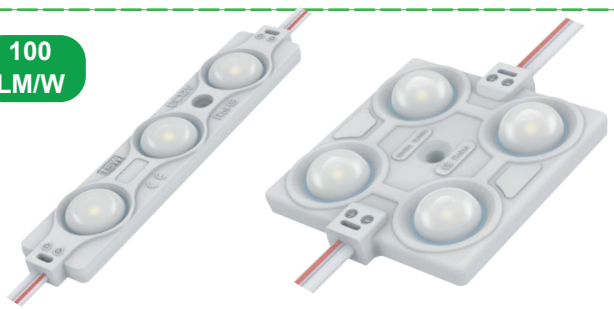
Part No.	Voltage	Power/pc	Lumen/pcs	LED Type	Ra	Dimension	Available Color
OP-2LSM4915-2	DC12V	0.48W	55LM	SMD2835	>70	49*14.8*7.2mm	○ ● ● ● ● ●
OP-2LSM7015-3	DC12V	0.72W	75LM	SMD2835	>70	70*14.8*7.1mm	○ ● ● ● ● ●

Installation Reference:

Part No.	Depth(H)	Dx	Dy	Qty/M ²	Power/M ²	Illumination
OP--2LSM4915-2	80mm	90mm	90mm	121pcs	58W	1780lux
	100mm	110mm	110mm	81pcs	39W	1070lux
OP-2LSM7015-3	100mm	140mm	140mm	49pcs	35W	2360lux
	150mm	200mm	200mm	25pcs	18W	1080lux



100 LM/W



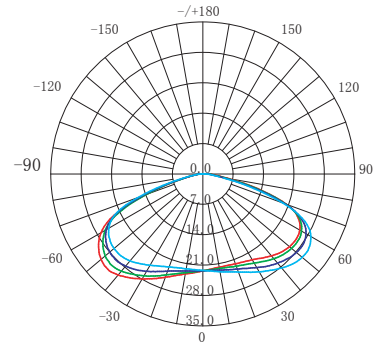
Application:

- 3D illumination LED letters with Depth 80-300MM
- Light box with Depth 80-300MM

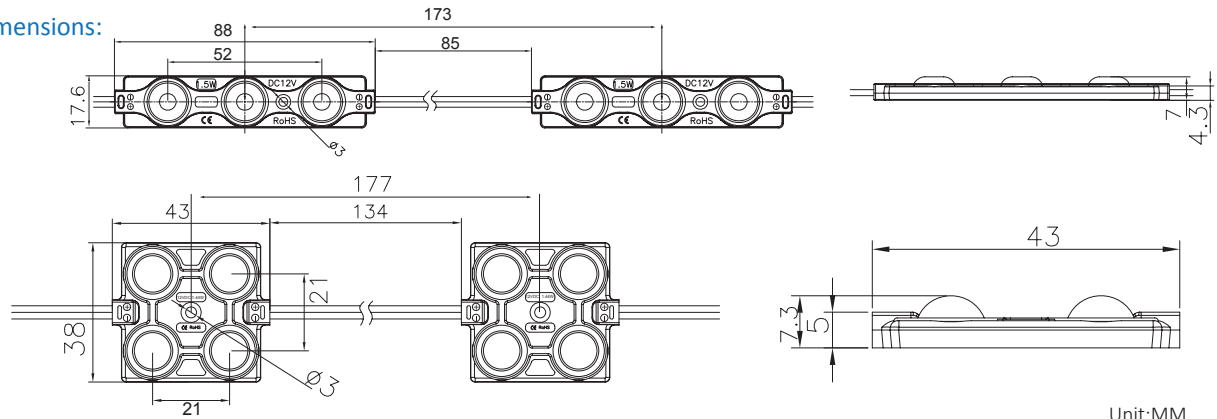
Features:

- Aluminum PCB
- Light decay <3% for 6000hrs
- CRI>70
- 3-step MacAdam ellipse
- HB fire safety level
- IP65 waterproof
- Cutable every module
- 3 years warranty

Beam Angle:160°



Dimensions:



Unit:MM

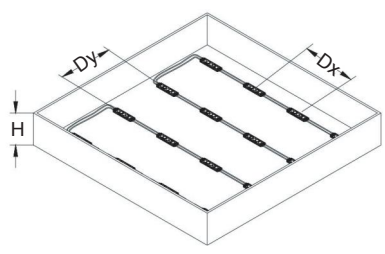
Order INFO and Parameter:

○ OP-2LSM3838-4 can produce power : 0.96W / 1.44W / 2.0W

Part No.	Voltage	Power/pc	Lumen/pcs	LED Type	Ra	Dimension	Available Color
OP-2LSM8818-3	DC12V	1.5W	145LM	SMD2835	>70	88*17.6*7mm	○ ● ● ● ● ●
OP-2LSM3838-4	DC12V	1.44W	150LM	SMD2835	>70	43*38*7.3mm	○ ● ● ● ● ●

Installation Reference:

Part No.	Depth(H)	Dx	Dy	Qty/M ²	Power/M ²	Illumination
OP--2LSM8818-3	100mm	140mm	140mm	50pcs	75W	2430lux
	150mm	200mm	200mm	25pcs	38W	1260lux
OP-2LSM3838-4	150mm	160mm	160mm	36pcs	52W	1680lux
	200mm	200mm	200mm	25pcs	36W	1250lux



150 LM/W



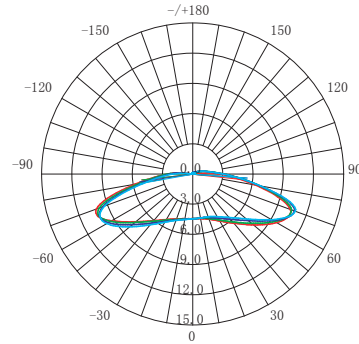
Application:

- 3D illumination LED letters with Depth 30-200MM
- Light box with Depth 30-200MM

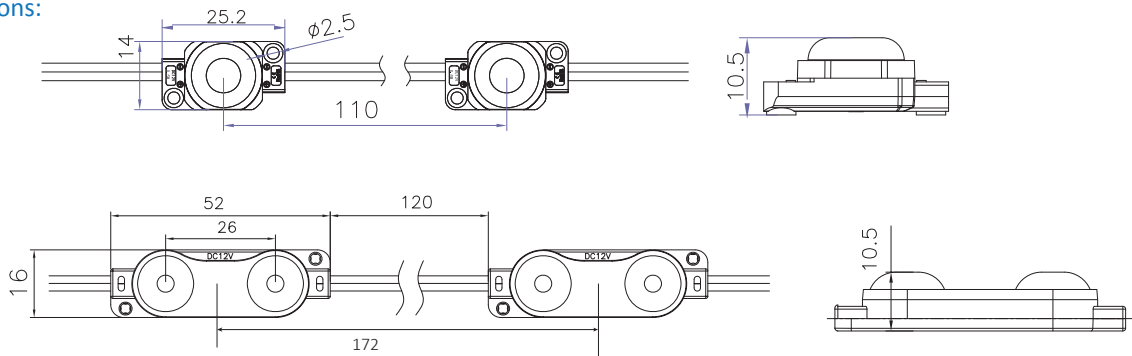
Features:

- 2:1 Lens with wide viewing angle
- Light decay <3% for 6000hrs
- CRI>70
- 3-step MacAdam ellipse
- HB fire safety level
- IP67 waterproof
- Cutttable every module
- 5 years warranty

Beam Angle:165°



Dimensions:



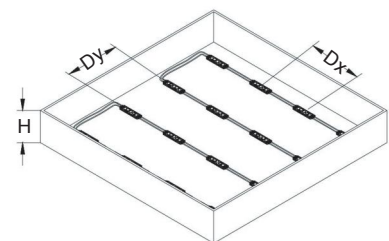
Unit:MM

Order INFO and Parameter:

Part No.	Voltage	Power/pc	Lumen/pcs	LED Type	Ra	Dimension	Available Color
OP-2LSM2014-1	DC12V	0.36W	54LM	SMD2835	>70	25.2*14*10.5mm	3000K/7000K/12000K
OP-2LSM5216-2	DC12V	0.72W	105LM	SMD2835	>70	52*16*10.5mm	3000K/7000K/12000K

Installation Reference:

Part No.	Depth(H)	Dx	Dy	Qty/M ²	Power/M ²	Illumination
OP--2LSM2014-1	60mm	120mm	120mm	64pcs	23W	1700lux
	100mm	140mm	140mm	49pcs	18W	1200lux
OP-2LSM5216-2	100mm	180mm	180mm	36pcs	26W	1460lux
	150mm	200mm	200mm	25pcs	18W	1080lux



150
LM/W



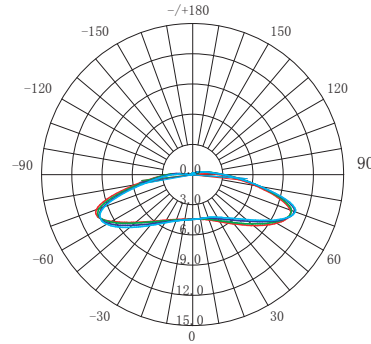
Application:

- 3D illumination LED letters with Depth 80-300MM
- Light box with Depth 80-300MM

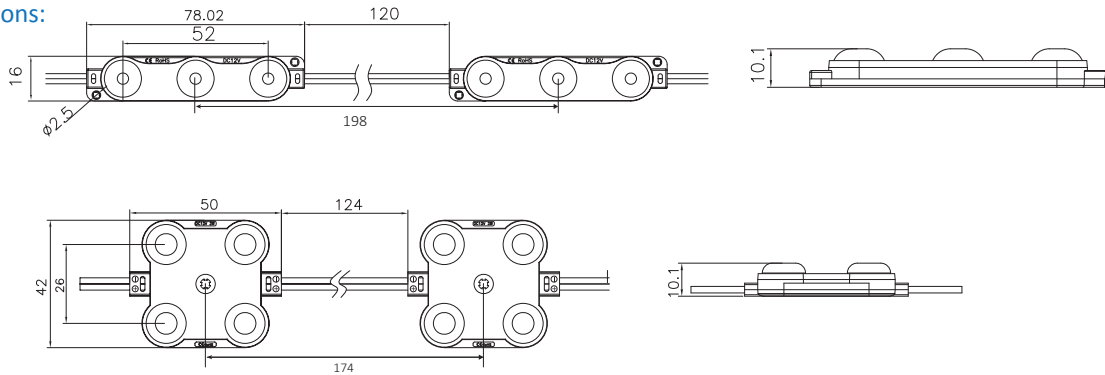
Features:

- 2:1 Lens with wide viewing angle
- Light decay <3% for 6000hrs
- CRI>70
- 3-step MacAdam ellipse
- HB fire safety level
- IP67 waterproof
- Cuttable every module
- 5 years warranty

Beam Angle:165°



Dimensions:



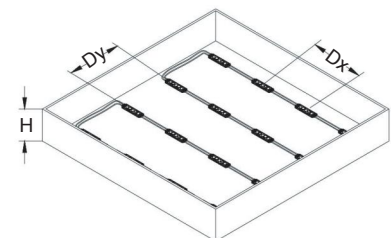
Unit:MM

Order INFO and Parameter:

Part No.	Voltage	Power/pc	Lumen/pcs	LED Type	Ra	Dimension	Available Color
OP-2LSM7816-3	DC12V	1.08W	149LM	SMD2835	>70	78*16*10.4mm	3000K/7000K/12000K
OP-2LSM4242-4	DC12V	1.44W	202LM	SMD2835	>70	50*42*10.4mm	3000K/7000K/12000K

Installation Reference:

Part No.	Depth(H)	Dx	Dy	Qty/M ²	Power/M ²	Illumination
OP--2LSM7816-3	100mm	200mm	200mm	25pcs	27W	1620lux
	120mm	220mm	220mm	25pcs	27W	1430lux
OP-2LSM4242-4	150mm	200mm	180mm	28pcs	40.3W	2860lux
	200mm	240mm	240mm	16pcs	23W	1560lux





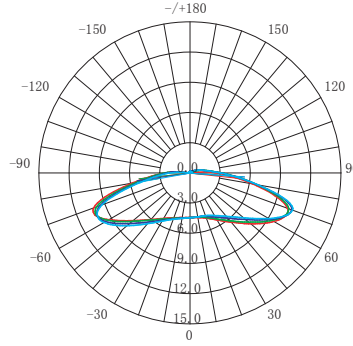
Application:

- 3D illumination LED letters with Depth 50-200MM
- Light box with Depth 50-200MM

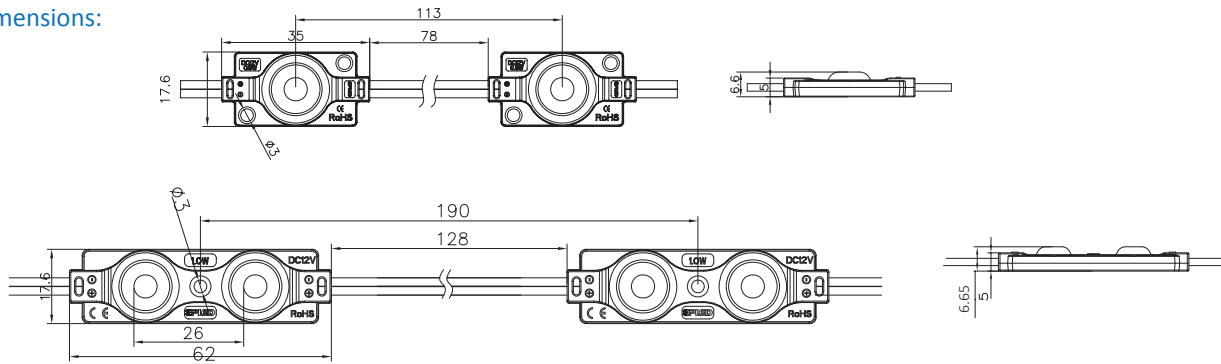
Features:

- 2:1 Lens with wide viewing angle
- Light decay <3% for 6000hrs
- CRI>70
- 3-step MacAdam ellipse
- HB fire safety level
- IP65 waterproof
- Cutable every module
- 3 years warranty

Beam Angle:170°



Dimensions:



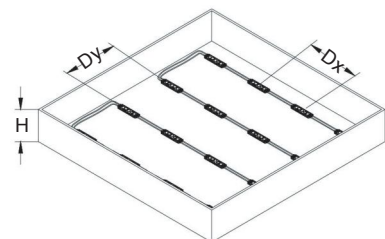
Unit:MM

Order INFO and Parameter:

Part No.	Voltage	Power/pc	Lumen/pcs	LED Type	Ra	Dimension	Available Color
OP-2LSM3518-1	DC12V	0.5W	50LM	SMD2835	>70	35*17.6*6.6mm	3000K/7000K/12000K
OP-2LSM6218-2	DC12V	1.0W	96LM	SMD2835	>70	62*17.6*6.65mm	3000K/7000K/12000K

Installation Reference:

Part No.	Depth(H)	Dx	Dy	Qty/M ²	Power/M ²	Illumination
OP--2LSM3518-1	80mm	120mm	120mm	64pcs	32W	1750lux
	100mm	140mm	140mm	49pcs	25W	1280lux
OP-2LSM6218-2	100mm	180mm	180mm	36pcs	36W	1460lux
	120mm	180mm	180mm	36pcs	36W	1380lux





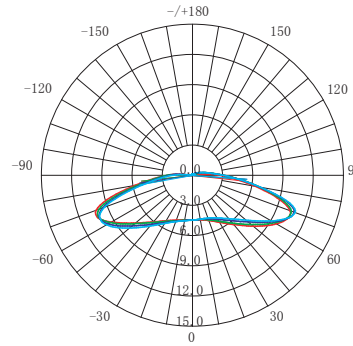
Application:

- 3D illumination LED letters with Depth 80-300MM
- Light box with Depth 80-300MM

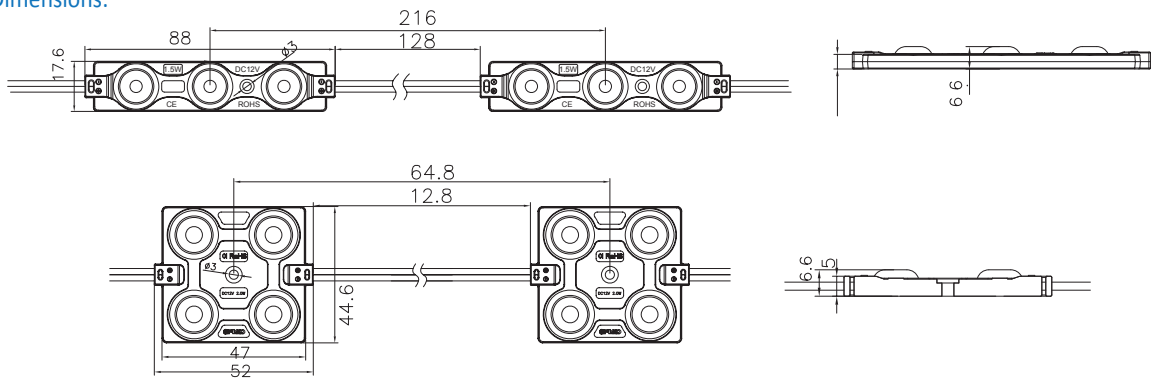
Features:

- 2:1 Lens with wide viewing angle
- Light decay <3% for 6000hrs
- CRI>70
- 3-step MacAdam ellipse
- HB fire safety level
- IP65 waterproof
- Cutable every module
- 3 years warranty

Beam Angle:170°



Dimensions:



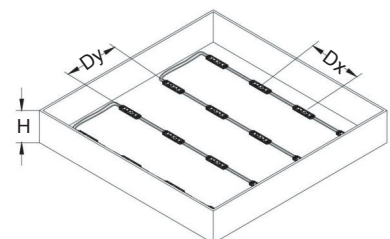
Unit:MM

Order INFO and Parameter:

Part No.	Voltage	Power/pc	Lumen/pcs	LED Type	Ra	Dimension	Available Color
OP-2LSM8218-3	DC12V	1.5W	145LM	SMD2835	>70	88*17.6*6.6mm	3000K/7000K/12000K
OP-2LSM5245-4	DC12V	2.0W	185LM	SMD2835	>70	52*44.6*6.65mm	3000k/7000K/12000K

Installation Reference:

Part No.	Depth(H)	Dx	Dy	Qty/M ²	Power/M ²	Illumination
OP--2LSM8218-3	100mm	200mm	200mm	25pcs	38W	1620lux
	150mm	240mm	240mm	16pcs	24W	1060lux
OP-2LSM5245-4	150mm	200mm	180mm	28pcs	56W	2750lux
	200mm	240mm	240mm	18pcs	36W	1820lux



150
LM/W



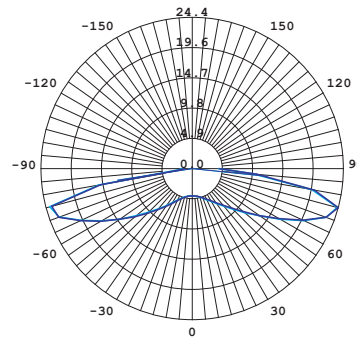
Application:

- 3D illumination LED letters with Depth 30-200MM
- Light box with Depth 30-200MM

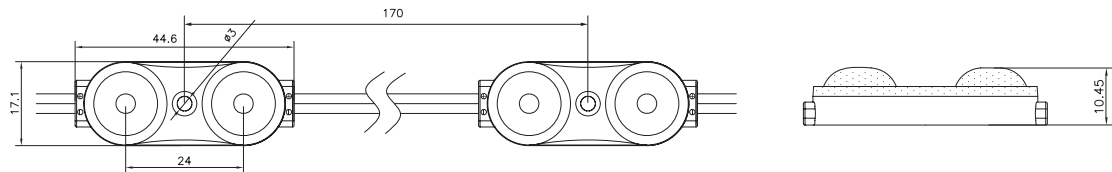
Features:

- 3:1 Lens with wide viewing angle
- Light decay <3% for 6000hrs
- CRI>70
- 3-step MacAdam ellipse
- HB fire safety level
- IP67 waterproof
- Cutable every module
- 5 years warranty

Beam Angle:170°



Dimensions:



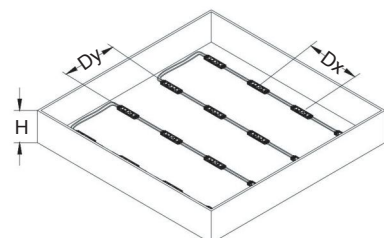
Unit:MM

Order INFO and Parameter:

Part No.	Voltage	Power/pc	Lumen/pcs	LED Type	Ra	Dimension	Available Color
OP-2LSM4517-2	DC12V	0.72W	105LM	SMD2835	>70	44.6*17.1*10.5mm	3000K/7000K/12000K

Installation Reference:

Part No.	Depth(H)	Dx	Dy	Qty/M ²	Power/M ²	Illumination
OP-2LSM4517-2	80mm	180mm	180mm	30pcs	22W	1860lux
	100mm	250mm	250mm	16pcs	12W	1230lux
	120mm	250mm	250mm	16pcs	12W	1080lux
	150mm	250mm	250mm	16pcs	12W	980lux





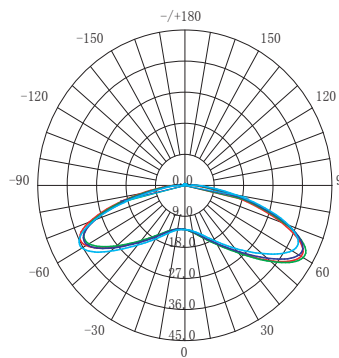
Application:

- 3D illumination LED letters with Depth 50-300MM
- Light box with Depth 50-300MM

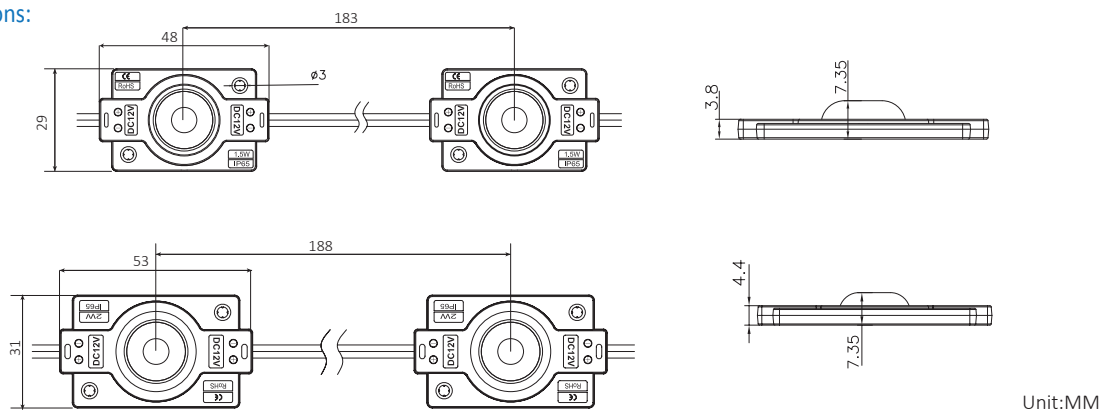
Features:

- 160° wide viewing angle
- Light decay <3% for 6000hrs
- CRI>70
- 3-step MacAdam ellipse
- HB fire safety level
- IP65 waterproof
- Cutable every module
- 5 years warranty

Beam Angle:160°



Dimensions:

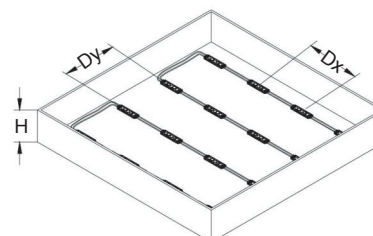


Order INFO and Parameter:

Part No.	Voltage	Power/pc	Lumen/pcs	LED Type	Ra	Dimension	Available Color
OP-HSM4028-1	DC12V	1.5W	145LM	SMD 3030	>70	48*29*7.35mm	3000K/6000K/12000K
OP-HSM4530-2	DC12V	2.0W	202LM	SMD 3030	>70	53*31*7.35mm	3000K/6000K/12000K
OP-HSM4530-2	DC12V	2.5W	240LM	SMD3535	>70	53*31*7.35mm	7000K

Installation Reference:

Part No.	Depth(H)	Dx	Dy	Qty/M ²	Power/M ²	Illumination
OP--HSM4028-1	100mm	150mm	150mm	48pcs	72W	1780lux
	150mm	200mm	200mm	25pcs	38W	1350lux
OP-HSM4530-2	150mm	200mm	200mm	25pcs	50W	1870lux
	200mm	200mm	200mm	25pcs	50W	1350lux



100
LM/W



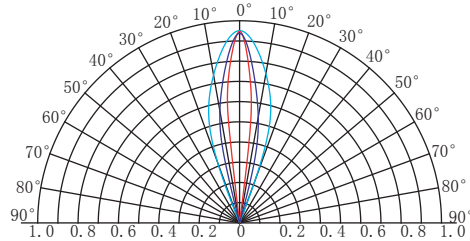
Application:

- double sided emitting Light box with depth of 150-300MM
- single sided emitting light box with depth 80-200MM

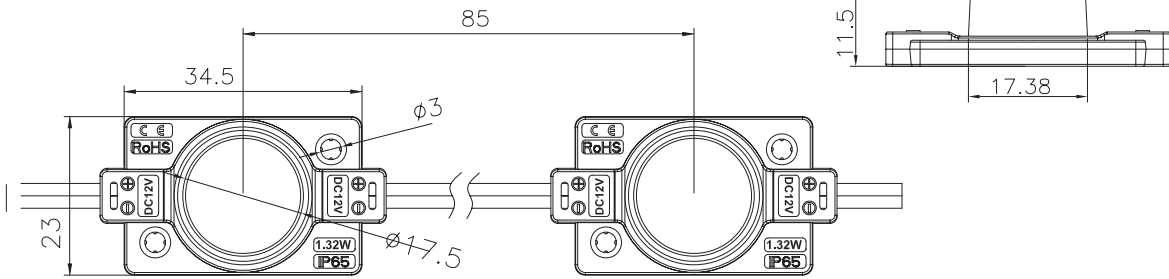
Features:

- Lens designed for double sided emitting light box
- Light decay <3% for 6000hrs
- CRI>70
- 3-step MacAdam ellipse
- HB fire safety level
- IP65 waterproof
- Cuttable every module
- 5 years warranty

Beam Angle:10°*60°



Dimensions:



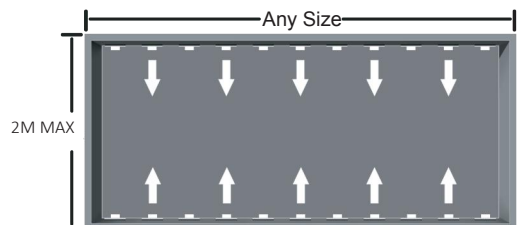
Unit:MM

Order INFO and Parameter:

Part No.	Voltage	Power/pc	Lumen/pcs	LED Type	Ra	Dimension	Available Color
OP-H10SM3422-1	DC12V	1.32W	130LM	EMC 3030	>70	34.5*23*11.5mm	3000K/7000K/12000K

Installation Reference:

Part No.	Depth(H)	Qty/M ²	Power/M ²	Illumination
OP-H10SM3422-1	120mm	24pcs	32W	700lux
	150mm	24pcs	32W	650lux
	180mm	24pcs	32W	600lux
	200mm	24pcs	32W	550lux





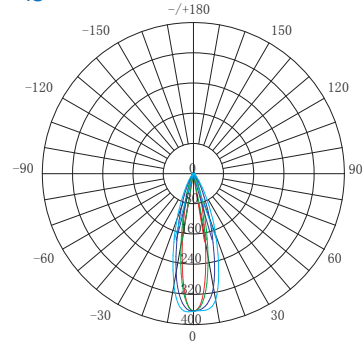
Application:

- double sided emitting Light box with depth of 50-200MM

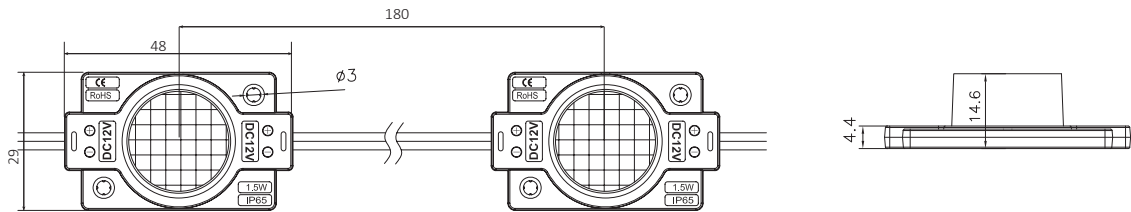
Features:

- Lens designed for double sided emitting light box
- Light decay <3% for 6000hrs
- CRI>70
- 3-step MacAdam ellipse
- HB fire safety level
- IP65 waterproof
- Cutable every module
- 5 years warranty

Beam Angle:15°*45°



Dimensions:



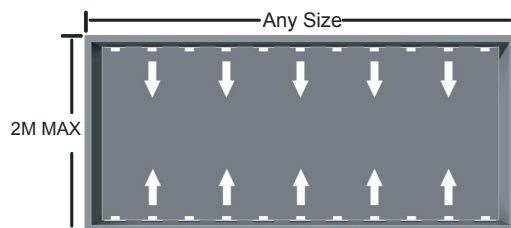
Unit:MM

Order INFO and Parameter:

Part No.	Voltage	Power/pc	Lumen/pcs	LED Type	Ra	Dimension	Available Color
OP-H45SM4028-1	DC12V	1.5W	145LM	SMD 3030	>70	48*29*14.6mm	3000K/6000K/12000K

Installation Reference:

Part No.	Depth(H)	Qty/M ²	Power/M ²	Illumination
OP-H45SM4028-1	70mm	50pcs	75W	2000lux
	100mm	40pcs	60W	1300lux
	120mm	36pcs	54W	980lux
	150mm	30pcs	45W	850lux





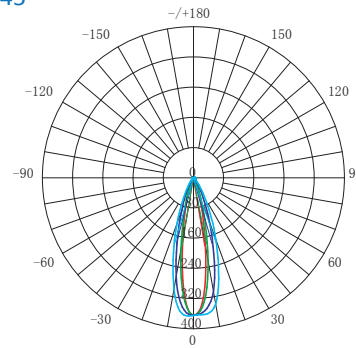
Application:

- double sided emitting Light box with depth of 50-200MM

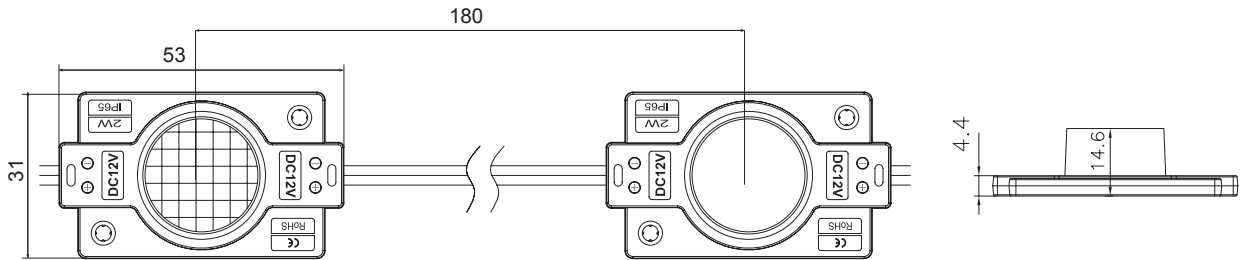
Features:

- Lens designed for double sided emitting light box
- Light decay <3% for 6000hrs
- CRI>70
- 3-step MacAdam ellipse
- HB fire safety level
- IP65 waterproof
- Cutable every module
- 5 years warranty

Beam Angle:15°*45°



Dimensions:



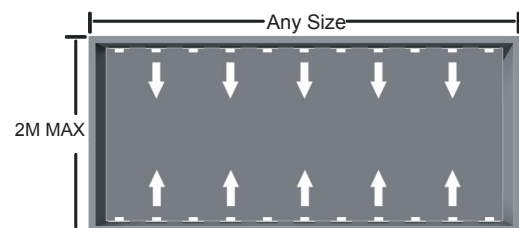
Unit:MM

Order INFO and Parameter:

Part No.	Voltage	Power/pc	Lumen/pcs	LED Type	Ra	Dimension	Available Color
OP-H45SM4530-2	DC12V	2W	202LM	SMD 3030	>70	53*31*14.6mm	3000K/6000K/12000K
OP-H45SM4530-2.5	DC12V	2.5W	240LM	SMD 3535	>70	53*31*14.6mm	3000K/6000K/12000K

Installation Reference:

Part No.	Depth(H)	Qty/M ²	Power/M ²	Illumination
OP-H45SM4530-2 2.0W	120mm	30pcs	60W	1200lux
	150mm	26pcs	52W	950lux
	180mm	26pcs	52W	850lux
	200mm	26pcs	52W	780lux





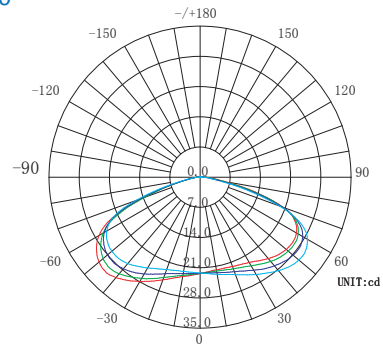
Application:

- Ideal for light box and 3D letters with depth 60-180MM

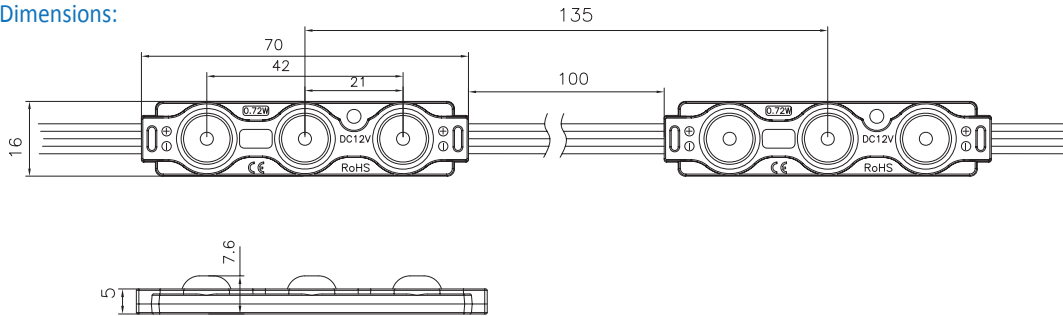
Features:

- Adopts 5050 RGB LED chips.
- Light decay <3% for 6000hrs
- HB fire safety level
- IP65 waterproof
- Cutable every module
- 3 years warranty

Beam Angle:160°



Dimensions:



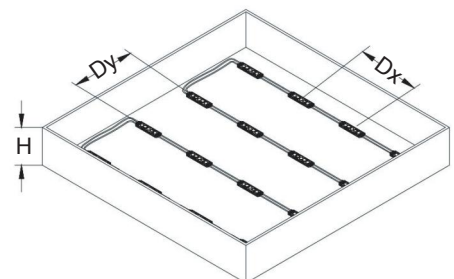
Unit:MM

Order INFO and Parameter:

Part No.	Voltage	Power/pc	Lumen/pcs	LED Type	Dimension	Available Color
OP-5ALSM7016-3RGB	DC12V	0.72W	R:6LM G:20LM B:5LM	SMD 5050	70*16*7.6mm	RGB 7 colors

Installation Reference:

Depth(H)	Light Box (L*W)	Distance (dx;dy)	Qty/m ²	Power/m ²	Lux/m ²
80mm	1000*1000mm	150mm	50pcs	36W	2980
100mm	1000*1000mm	180mm	36pcs	26W	2150
120mm	1000*1000mm	200mm	25pcs	18W	1560
150mm	1000*1000mm	220mm	20pcs	14.4W	980





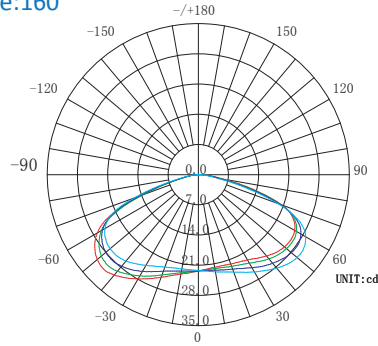
Application:

- Ideal for light box and 3D letters with depth 60-200MM

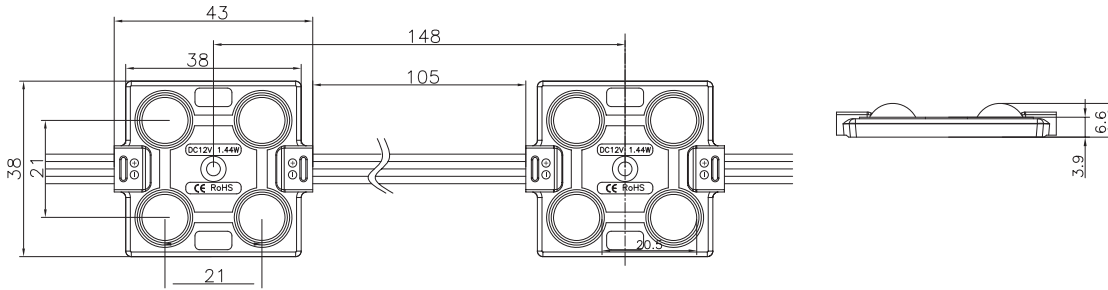
Features:

- Adopts 5050 RGB LED chips.
- Light decay <3% for 6000hrs
- HB fire safety level
- IP65 waterproof
- Cuttable every module
- 3 years warranty

Beam Angle:160°



Dimensions:



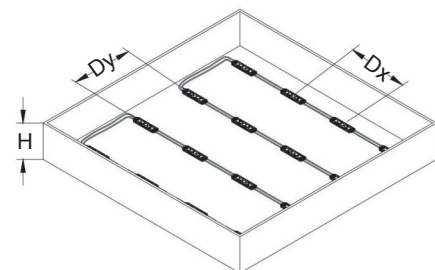
Unit:MM

Order INFO and Parameter:

Part No.	Voltage	Power/pc	Lumen/pcs	LED Type	Dimension	Available Color
OP-5ALS3838-4RGB	DC12V	1.44W	R:8LM G:25LM B:7LM	SMD 5050	43*38*6.6mm	RGB 7 colors

Installation Reference:

Depth(H)	Light Box (L*W)	Distance (dx,dy)	Qty	Density pcs/m ²	Lux/m ²
80mm	1000*1000mm	150mm	50pcs	72W	4320
100mm	1000*1000mm	180mm	36pcs	52W	3680
120mm	1000*1000mm	200mm	25pcs	36W	3020
150mm	1000*1000mm	220mm	20pcs	29W	2350



LED FLEXIBLE STRIP

● OPLED can supply different IP graded LED strips:

IP20

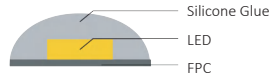
Non-waterproof



Indoor using only

IP65

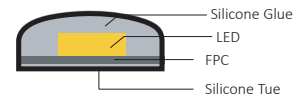
Silicone Glue Coating



In humid air

IP68

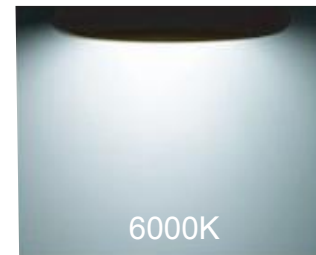
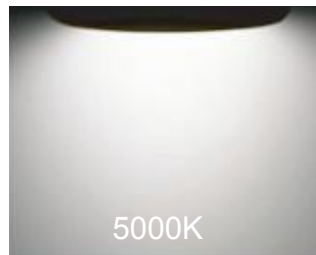
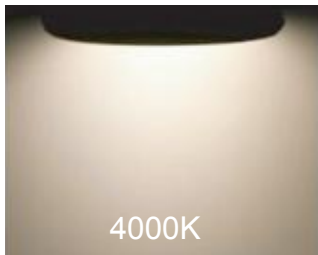
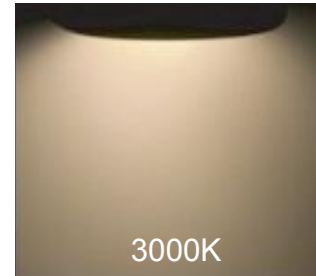
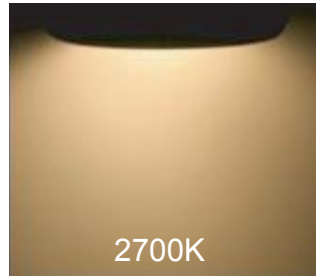
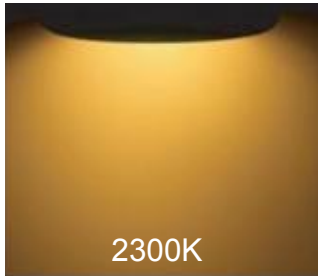
Silicone Tube+Silicone Glue



In water and in rain

● OPLED can supply full CCT range from 2300K to 12000K:

(Notes: Regular CCT is 3000K,4000K,6000K,10000K)



● OPLED can supply various CRI option from 75 to 95.

(Notes: Regular CRI is 75)

CRI 75



CRI 95





Available Colors:



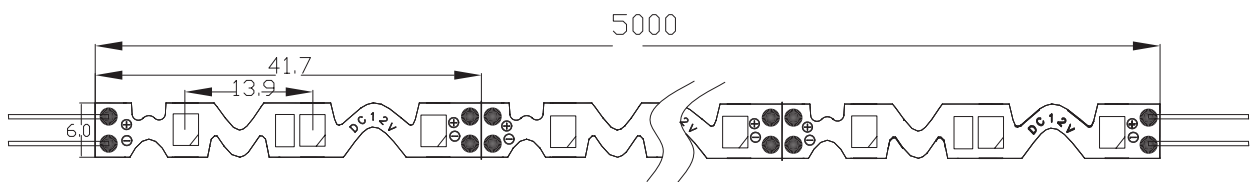
Application:

- Ideal for light box and 3D letters with depth 30-80MM.
- Indoor decoration lighting.

Features:

- Adopts high efficiency 2835 LED chip.
- Light decay <3% for 6000hrs
- SDCM≤3
- IP20 and IP65 are available.
- Cuttable every 3LEDs .
- 3 years warranty

Dimensions:

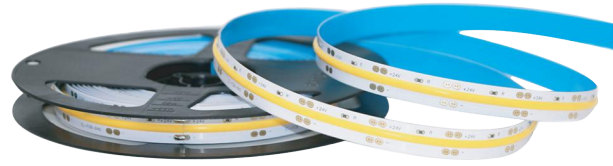


Unit:MM

Order INFO and Parameter:

Part No.	IP	Voltage	LED Type	LED Qty/M	Ra	Power/m	Lumen/m	Dimension
OP-NSFL2835-1260	IP20	DC12V	SMD2835	60	>75	7.2W	620LM	5000*6mm
OP-FSFL2835-1260	IP65	DC12V	SMD2835	60	>75	7.2W	620LM	5000*6mm

COB LED STRIP



Available Colors:

2700K / 3000K / 4000K / 6000K

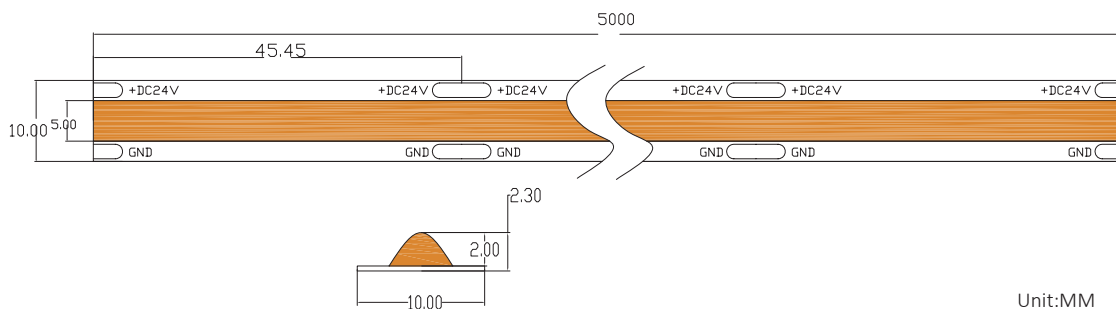
Application:

- Ideal for light box and 3D letters with depth 30-80MM.
- Indoor and outdoor decoration lighting.

Features:

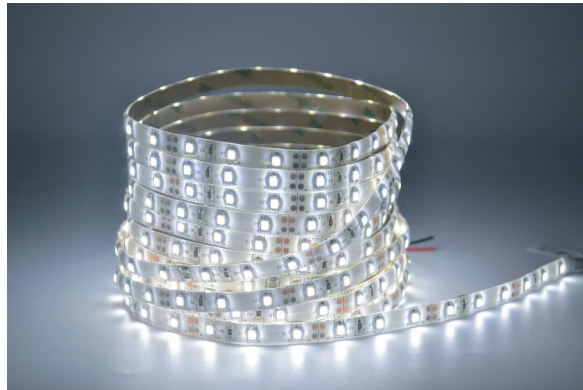
- Adopts high efficiency COB chips, Invisible LED.
- Double layer rolled 2OZ cooper FPC.
- Dot free, no dark area. beautiful uniform lighting
- IP20 & IP65 & IP68 are available.
- DC12V and DC24V are available.
- 3 years warranty

Dimensions:



Order INFO and Parameter:

Part No.	IP	Voltage	LED Type	LED Qty/M	Ra	Power/m	Lumen/m	Dimension
OP-NFL-COB528	IP20	DC12V/DC24V	COB	528	>80	14W	1260LM	5000*10mm
OP-DFL-COB528	IP65	DC12V/DC24V	COB	528	>80	14W	1260LM	5000*10mm
OP-SFL-COB528	IP68	DC12V/DC24V	COB	528	>80	14W	1260LM	5000*12mm



Available Colors:



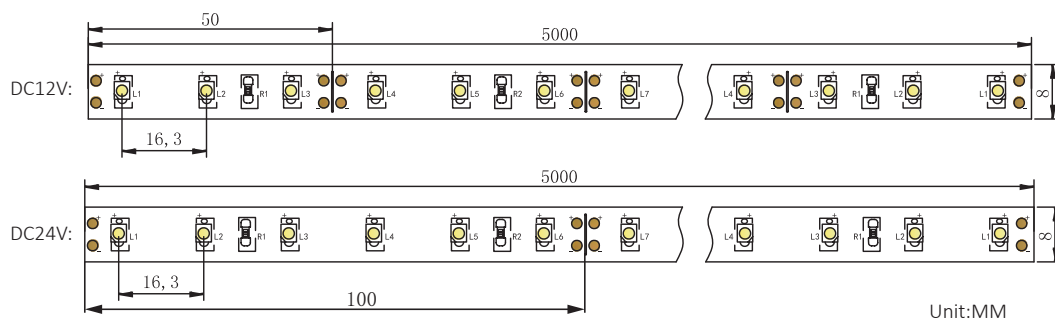
Application:

- Ideal for light box and 3D letters with depth 30-80MM.
- Indoor decoration lighting.

Features

- Adopts high efficiency 3528 LED chip.
- Light decay <3% for 6000hrs
- SDCM≤3
- IP20 & IP65 & IP68 are available.
- DC12V and DC24V are available.
- 3 years warranty

Dimensions:



Order INFO and Parameter:

Part No.	IP	Voltage	LED Type	LED Qty/M	Ra	Power/m	Lumen/m	Dimension
OP-NFL3528-1260	IP20	DC12V/DC24V	SMD3528	60	>75	4.8W	450LM	5000*8mm
OP-DFL3528-1260	IP65	DC12V/DC24V	SMD3528	60	>75	4.8W	450LM	5000*8mm
OP-SFL3528-1260	IP68	DC12V/DC24V	SMD3528	60	>75	4.8W	450LM	5000*8mm



Available Colors:



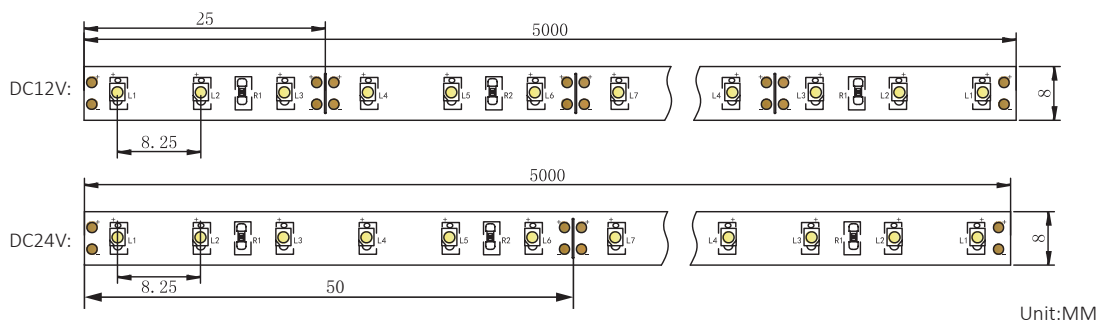
Application:

- Ideal for light box and 3D letters with depth 30-80MM.
- Indoor decoration lighting.

Features:

- Adopts high efficiency 3528 LED chip.
- Double layer rolled 2OZ cooper FPC.
- SDCM≤3
- IP20 & IP65 & IP68 are available.
- DC12V and DC24V are available.
- 3 years warranty

Dimensions:



Order INFO and Parameter:

Part No.	IP	Voltage	LED Type	LED Qty/M	Ra	Power/m	Lumen/m	Dimension
OP-NFL3528-12120	IP20	DC12V/DC24V	SMD3528	120	>75	9.6W	900LM	5000*8mm
OP-DFL3528-12120	IP65	DC12V/DC24V	SMD3528	120	>75	9.6W	900LM	5000*8mm
OP-SFL3528-12120	IP68	DC12V/DC24V	SMD3528	120	>75	9.6W	900LM	5000*8mm



Available Colors:



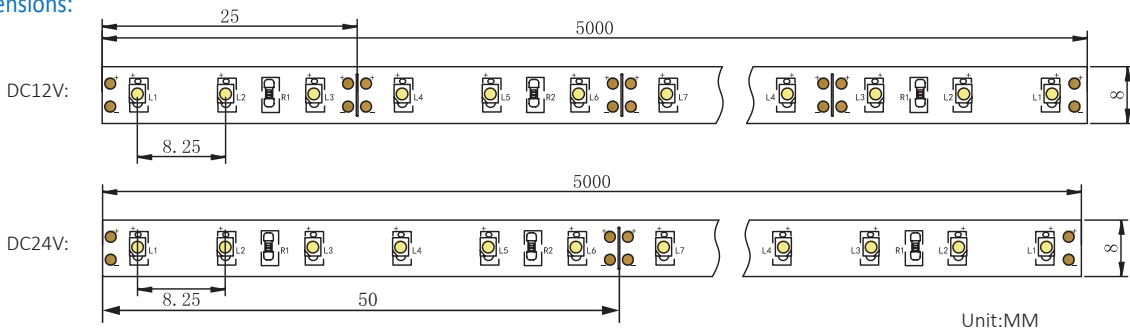
Application

- Ideal for light box and 3D letters with depth 30-80MM.
- Indoor decoration lighting.

Features:

- Adopts high efficiency 2835 LED chip.
- Double layer rolled 20Z cooper FPC.
- SDCM≤3
- IP20 & IP65 & IP68 are available.
- DC12V and DC24V are available.
- 3 years warranty

Dimensions:



Order INFO and Parameter:

Part No.	IP	Voltage	LED Type	LED Qty/M	Ra	Power/m	Lumen/m	Dimension
OP-NFL2835-1260	IP20	DC12V/DC24V	SMD2835	60	>75	7.2W	680LM	5000*8mm
OP-DFL2835-1260	IP65	DC12V/DC24V	SMD2835	60	>75	7.2W	680LM	5000*8mm
OP-SFL32835-1260	IP68	DC12V/DC24V	SMD285	60	>75	7.2W	680LM	5000*8mm



Available Colors:



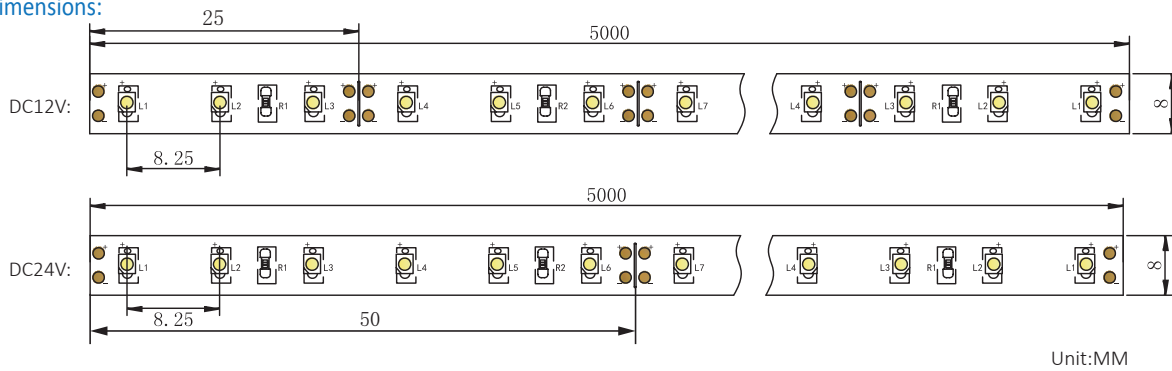
Application:

- Ideal for light box and 3D letters with depth 30-80MM.
- Indoor & outdoor decoration lighting.

Features:

- Adopts high efficiency 2835 LED chip.
- Double layer rolled 20Z cooper FPC.
- SDCM≤3
- IP20 & IP65 & IP68 are available.
- DC12V and DC24V are available.
- 3 years warranty

Dimensions:



Order INFO and Parameter:

Part No.	IP	Voltage	LED Type	LED Qty/M	Ra	Power/m	Lumen/m	Dimension
OP-NFL2835-12120	IP20	DC12V/DC24V	SMD2835	120	>75	12W	1200LM	5000*8mm
OP-DFL2835-12120	IP65	DC12V/DC24V	SMD2835	120	>75	12W	1200LM	5000*8mm
OP-SFL2835-12120	IP68	DC12V/DC24V	SMD2835	120	>75	12W	1200LM	5000*8mm



Available Colors:



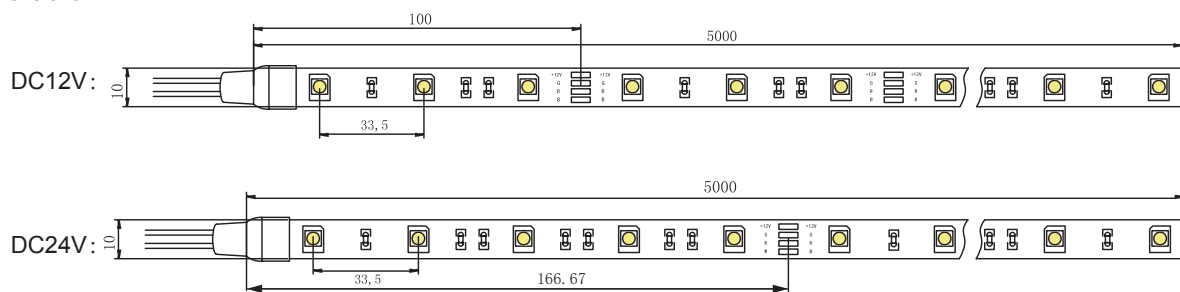
Application:

- Ideal for light box and 3D letters with depth 30-80MM.
- Indoor decoration lighting.

Features:

- Adopts high efficiency 5050 LED chip.
- Double layer rolled 20Z cooper FPC.
- SDCM≤3
- IP20 & IP65 & IP68 are available.
- DC12V and DC24V are available.
- 3 years warranty

Dimensions:

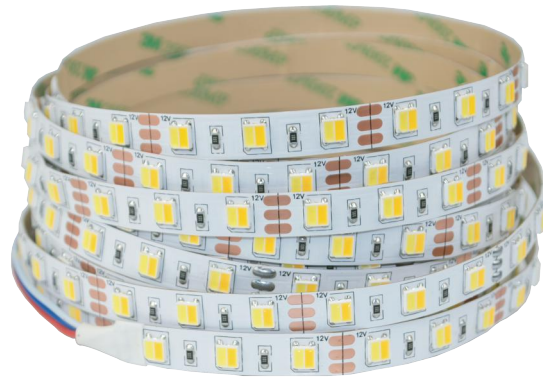
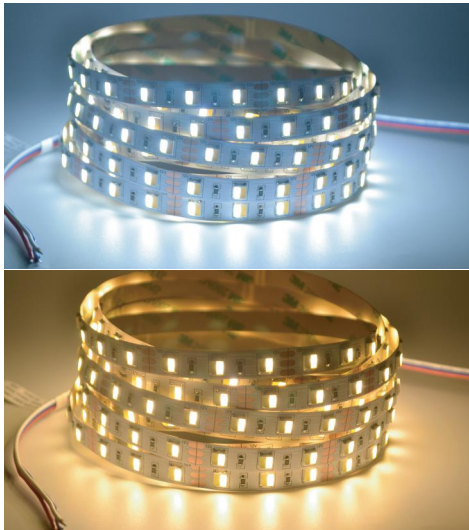


Unit:MM

Order INFO and Parameter: (Can produce different RA /CRI)

Part No.	IP	Voltage	LED Type	LED Qty/M	Ra	Power/m	Lumen/m	Dimension
OP-NFL5050-1230	IP20	DC12V/DC24V	SMD5050	30	>75	7.2W	680LM	5000*10mm
OP-DFL5050-1230	IP65	DC12V/DC24V	SMD5050	30	>75	7.2W	680LM	5000*10mm
OP-SFL5050-1230	IP68	DC12V/DC24V	SMD5050	30	>75	7.2W	680LM	5000*10mm

CCT Adjustable LED Strip



Available Colors:

White+Warm White

CCT adjustable

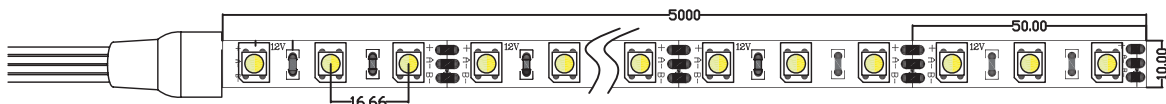
Application:

- Ideal for light box and 3D letters with depth 30-80MM.
- Indoor & outdoor decoration lighting.

Features:

- Adopts high efficiency 5050 2chip in 1 LED.
- Double layer rolled 20Z cooper FPC.
- SDCM≤3
- IP20 & IP65 & IP68 are available.
- DC12V and DC24V are available.
- 3 years warranty

Dimensions:



Unit:MM

Order INFO and Parameter: (Can produce different RA/CRI)

Part No.	IP	Voltage	LED Type	LED Qty/M	Ra	Power/m	Lumen/m	Dimension
OP-NFL5050-1260DW	IP20	DC12V/DC24V	SMD5050	60	>75	14.4W	1000LM	5000*10mm
OP-DFL5050-1260DW	IP65	DC12V/DC24V	SMD5050	60	>75	14.4W	1000LM	5000*10mm
OP-SFL5050-1260DW	IP68	DC12V/DC24V	SMD5050	60	>75	14.4W	1000LM	5000*12mm

RGBW LED strip



Available Colors:



RGBW



RGBWW

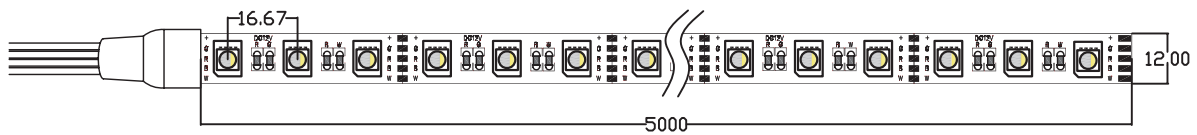
Application:

- Ideal for light box and 3D letters with depth 30-80MM.
- Indoor & outdoor decoration lighting.

Features:

- Adopts high efficiency 5050 4chip in 1 LED.
- Double layer rolled 20Z cooper FPC.
- SDCM≤3
- IP20 & IP65 & IP68 are available.
- DC12V and DC24V are available.
- 3 years warranty

Dimensions:



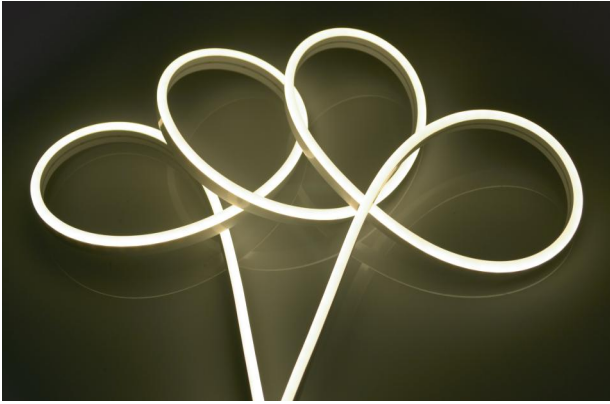
Unit:MM

Order INFO and Parameter:

(Can produce different RA/CRI)

Part No.	IP	Voltage	LED Type	LED/M	Ra	Power/m	Lumen/m	Dimension
OP-NFL5050-1260RGBW	IP20	DC12V/DC24V	SMD5050	60pcs	>75	19.2W	1000LM	5000*12mm
OP-DFL5050-1260RGBW	IP65	DC12V/DC24V	SMD5050	60pcs	>75	19.2W	1000LM	5000*12mm
OP-SFL5050-1260RGBW	IP68	DC12V/DC24V	SMD5050	60pcs	>75	19.2W	1000LM	5000*14mm

DC12V /DC24V LED Neon strip



Available Colors:



Application:

- Sign modeling design.
- Indoor and outdoor decoration lighting.
- Corridor edges and corners lighting.

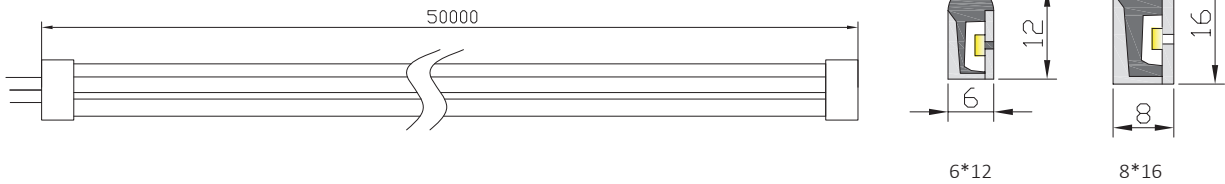
Features:

- Soft light, dot-free and no shadow.
- Eco-friendly and UV-resistant material.
- Minimum bending diameter is 20mm.
- 2 years warranty

Dimensions:

(Notes: Regular length is 50m per roll, can produce 5m per roll)

Unit:MM



Accessories: (Notes: Accessories should be purchased separately)



AL fix clips



Middle connector(8*16)



End cap(8*16)



End cap(6*12)

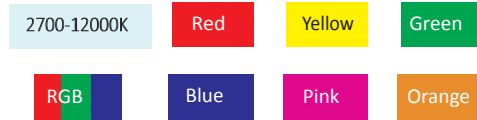
Order INFO and Parameter:

Part No.	Voltage	LED Type	LED Qty/M	Min. Cut	Ra	Dimension	Power/m	Lumen/M
OP-NLS6-12	DC12V/DC24V	SMD2835	120	25MM	>70	50000*6*12mm	8.5W	280LM
OP-NLS8-16	DC12V/DC24V	SMD2835	120	500MM	>70	10000*8*16mm	9W	280LM

AC110V /220V LED Neon strip



Available Colors:



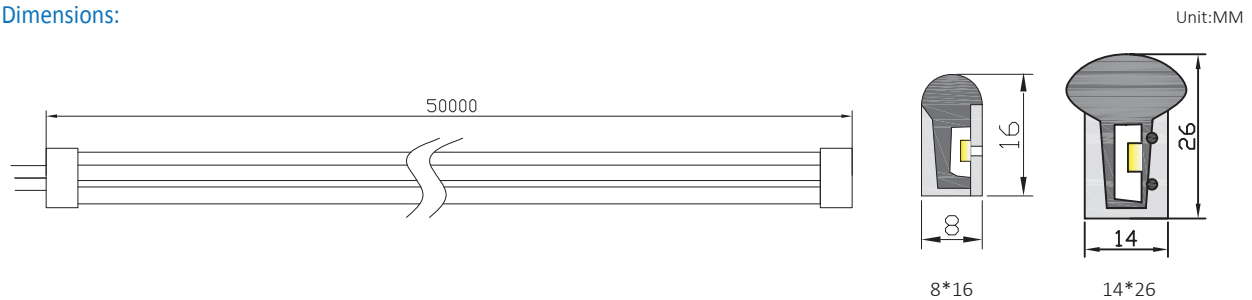
Application:

- Sign modeling design.
- Indoor and outdoor decoration lighting.
- Corridor edges and corners lighting.

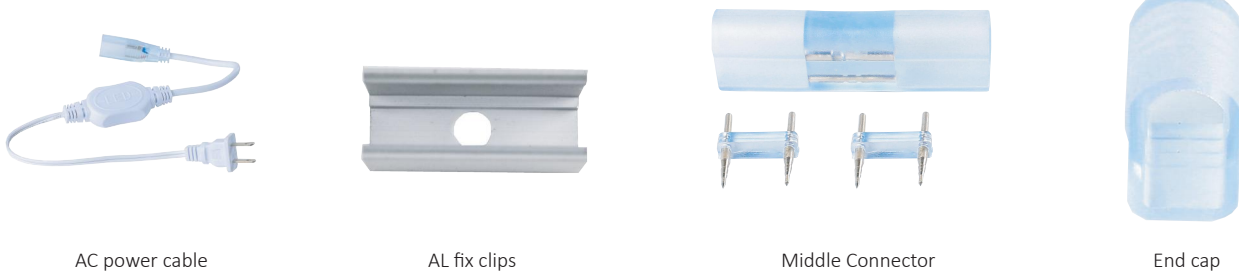
Features:

- Soft light, dot-free and no shadow.
- Eco-friendly and UV-resistant material.
- Minimum bending diameter is 50mm.
- 2 years warranty

Dimensions:



Accessories: (Notes:Accessories should be purchased separately)



AC power cable

AL fix clips

Middle Connector

End cap

Order INFO and Parameter:

Part No.	Voltage	LED Type	LED Qty/M	Min. Cut	Ra	Dimension	Power/m	Lumen/M
OP-HNL0816	AC110V	SMD2835	120	500MM	>75	50000*8*16	6W	150LM
OP-HNL0816	DC220V	SMD2835	120	1000MM	>75	50000*8*16	6W	150LM
OP-HNL1426	AC110V	SMD2835	120	500MM	>75	50000*14*26mm	6W	150LM
OP-HNL1426	AC220V	SMD2835	120	1000MM	>75	10000*14*26mm	6W	150LM

MEANWELL LED POWER SUPPLY



LPV-20-12 / LPV-20-24

Input Voltage:AC90-264V
 Output: DC12V 1.67A / DC24V 0.84A
 Power:20W
 Size:118*35*26mm

IP67



LPV-35-12 / LPV-35-24

Input Voltage:AC90-264V
 Output: DC12V 3A / DC24V 1.5A
 Power:36W
 Size:148*40*30mm

IP67



LPV-60-12 / LPV-60-24

Input Voltage:AC90-264V
 Output: DC12V 5A / DC24V 2.5A
 Power:60W
 Size:162.5*42.5*32mm

IP67



LPV-100-12 / LPV-100-24

Input Voltage:AC90-264V
 Output: DC12V 8.5A / DC24V 4.2A
 Power:100W
 Size:190*52*37mm

IP67



LPV-150-12 / LPV-150-24

Input Voltage:AC180-264V
 Output: DC12V 10A 120W
 DC24V 6.3A 151W
 Size:191*63*37.5mm

IP67



LPVL-150-12 / LPVL-150-24

Input Voltage:AC90-132V
 Output: DC12V 10A 120W
 DC24V 6.3A 151W
 Size:191*63*37.5mm

IP67

Notes: Other MEANWELL Series are available: NES;CLG;HLG;ELG;LPF;PLC;LRS;PLN

OPLED LED POWER SUPPLY



OP-F12-30W

Input Voltage:AC90-130V / AC170-250V

Output: DC12V 2.5A 30W

DC24V 1.25A 30W

Size:222*30*20mm

IP67



OP-F12-40W

Input Voltage:AC90-130V / AC170-250V

Output: DC12V 3.3A 39.6W

DC24V 1.65A 39.6W

Size:222*30*20mm

IP67



OP-F12-50W

Input Voltage:AC90-130V / AC170-250V

Output: DC12V 4.16A 49.92W

DC24V 2.1A 50.4W

Size:220*35*25mm

IP67



OP-F12-60W

Input Voltage:AC90-130V / AC170-250V

Output: DC12V 5A 60W

DC24V 2.5A 60W

Size:205*35*24mm

IP67



OP-F12-80W

Input Voltage:AC90-130V / AC170-250V

Output: DC12V 6.67A 80W

DC24V 3.17A 76W

Size:170*52*35mmmm

IP67



OP-F12-100W

Input Voltage:AC90-130V / AC170-250V

Output: DC12V 8.3A 99.6W

DC24V 4.17A 100W

Size:182*62*17mmmm

IP67



OP-F12-150W

Input Voltage:AC90-130V / AC170-250V

Output: DC12V 12.5A 150W

DC24V 6.25A 150W

Size:208*58*32mm

IP67



OP-F12-200W

Input Voltage:AC90-130V / AC170-250V

Output: DC12V 16.7A 200W

DC24V 8.33A 200W

Size:238*58*32mm

IP67

OPLED Wire Connectors:



OP-CE-1



OP-UY2



OP-UR



OP-PCT212



OP-PCT213



OP-PCT215



OP-JXD-D1



OP-JXD-H2



OP-JXD-T2



OP-JXD-T1

OPLED Controller:



Single Color Dimmer



RGB Controller



Amplifier



CCT adjustable controller



RGBW Controller



Website



Wechat

OPLLED TECHNOLOGY CO.,LTD.

Add:2 floor ,1 block, No.4 Minying Road,Shilongzai,Shiyan,
Bao'an District,Shenzhen,China.Code 518000

Tel:+86-755-2944 9311

Fax:+86-755-2944 9311

Email:info@opleder.com

Skype:opleder

Mobile / Viber / Whatsapp:+86-15889329910

Wechat:OPLLED-Chris

Website:www.opleder.com